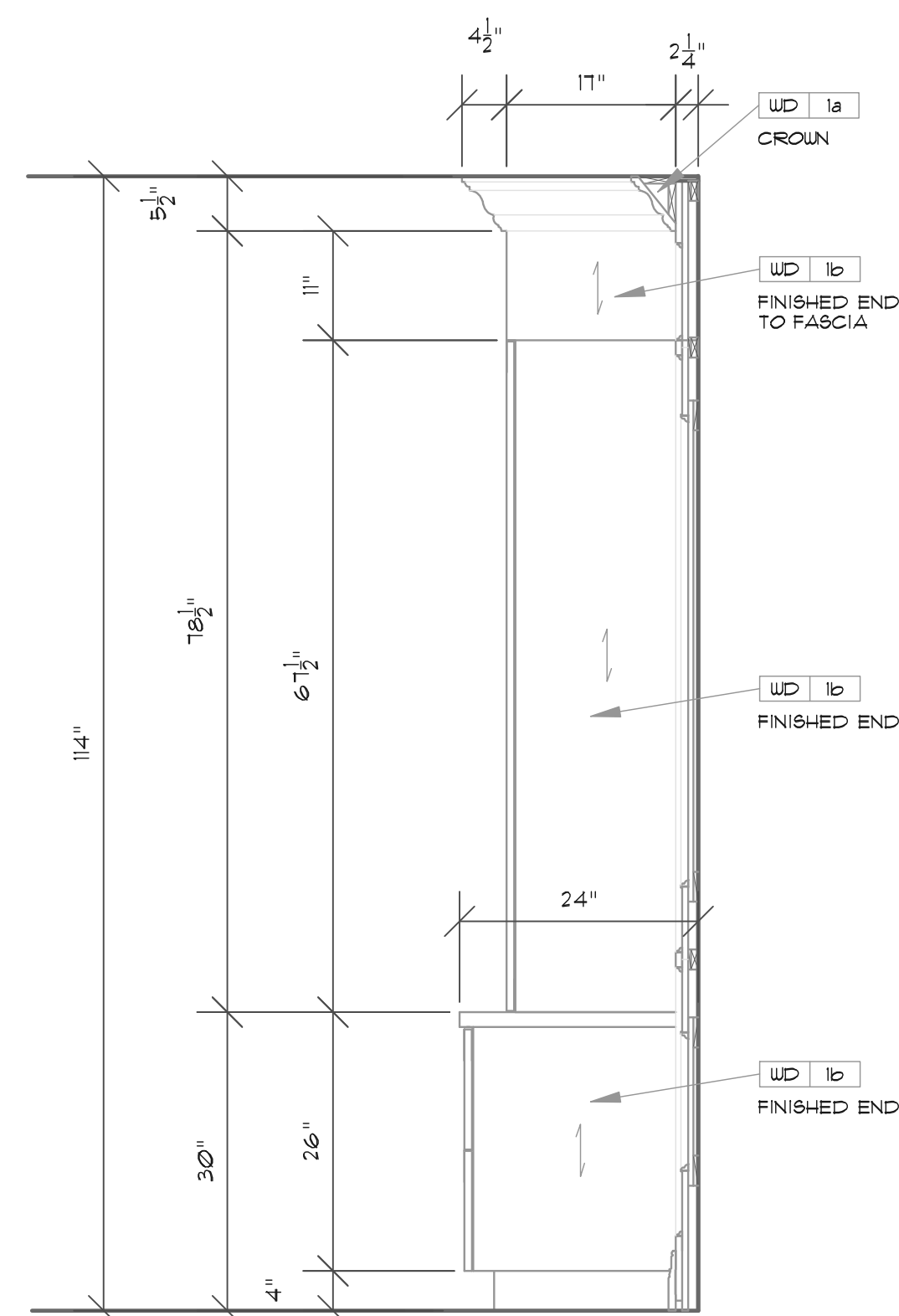


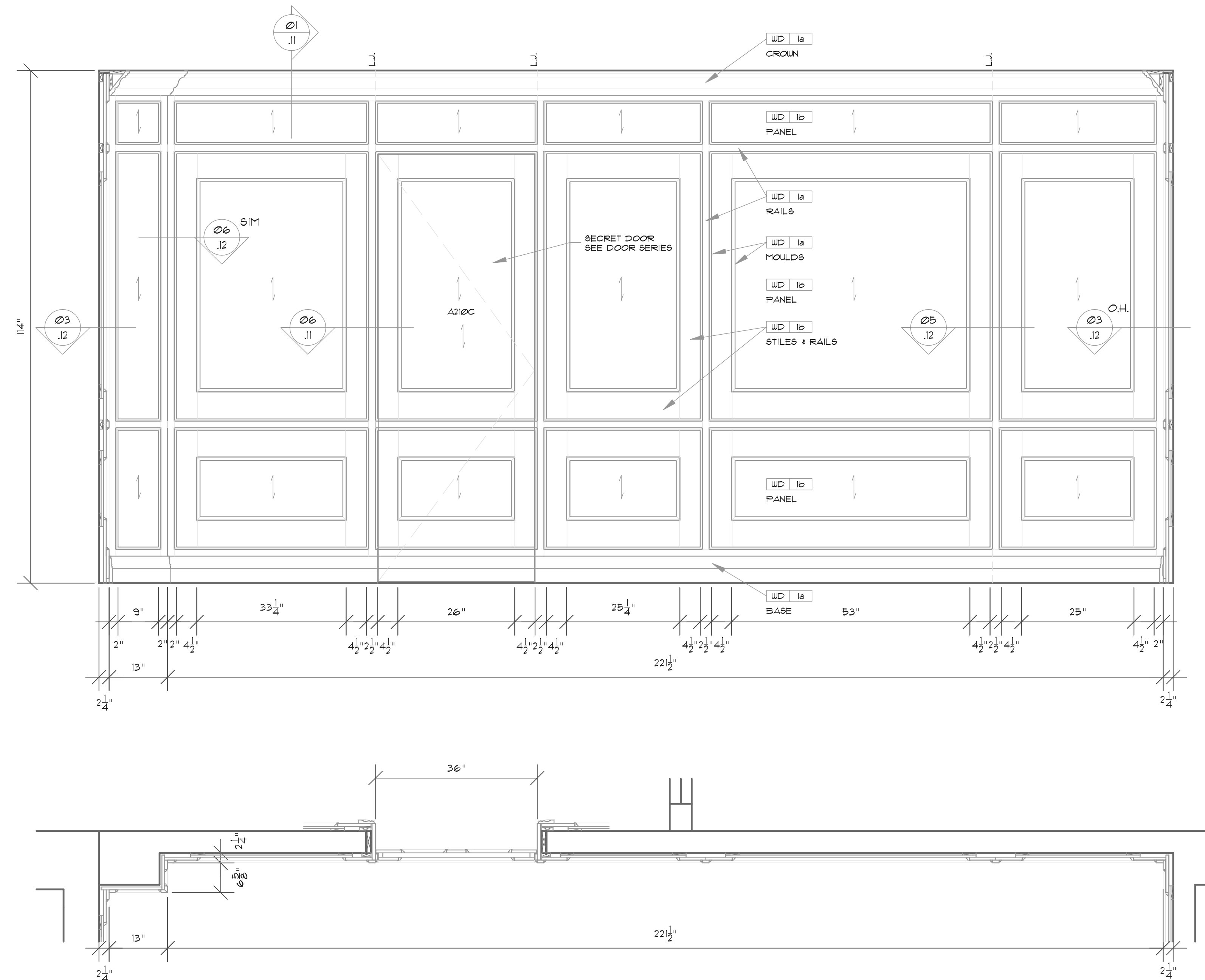
PLAN VIEW OWNERS SUITE RM.A210 & SCREENING RM.A212

SCALE: 1/4"=1' 01



ELEVATION OWNERS SUITE RM.A210

REF: NONE SCALE: 3/4"=1' 02

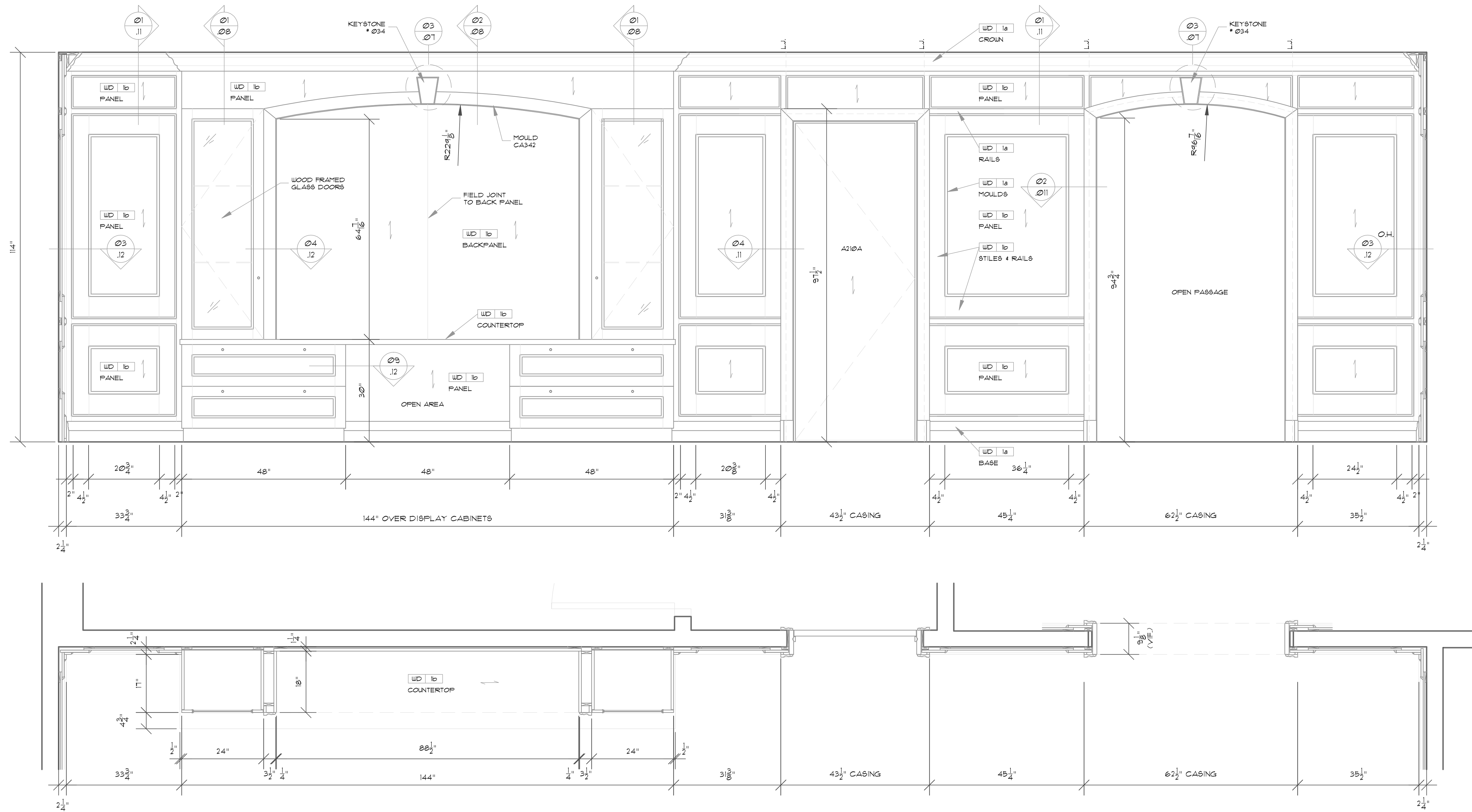


ELEVATION / PLAN OWNERS SUITE RM.A210

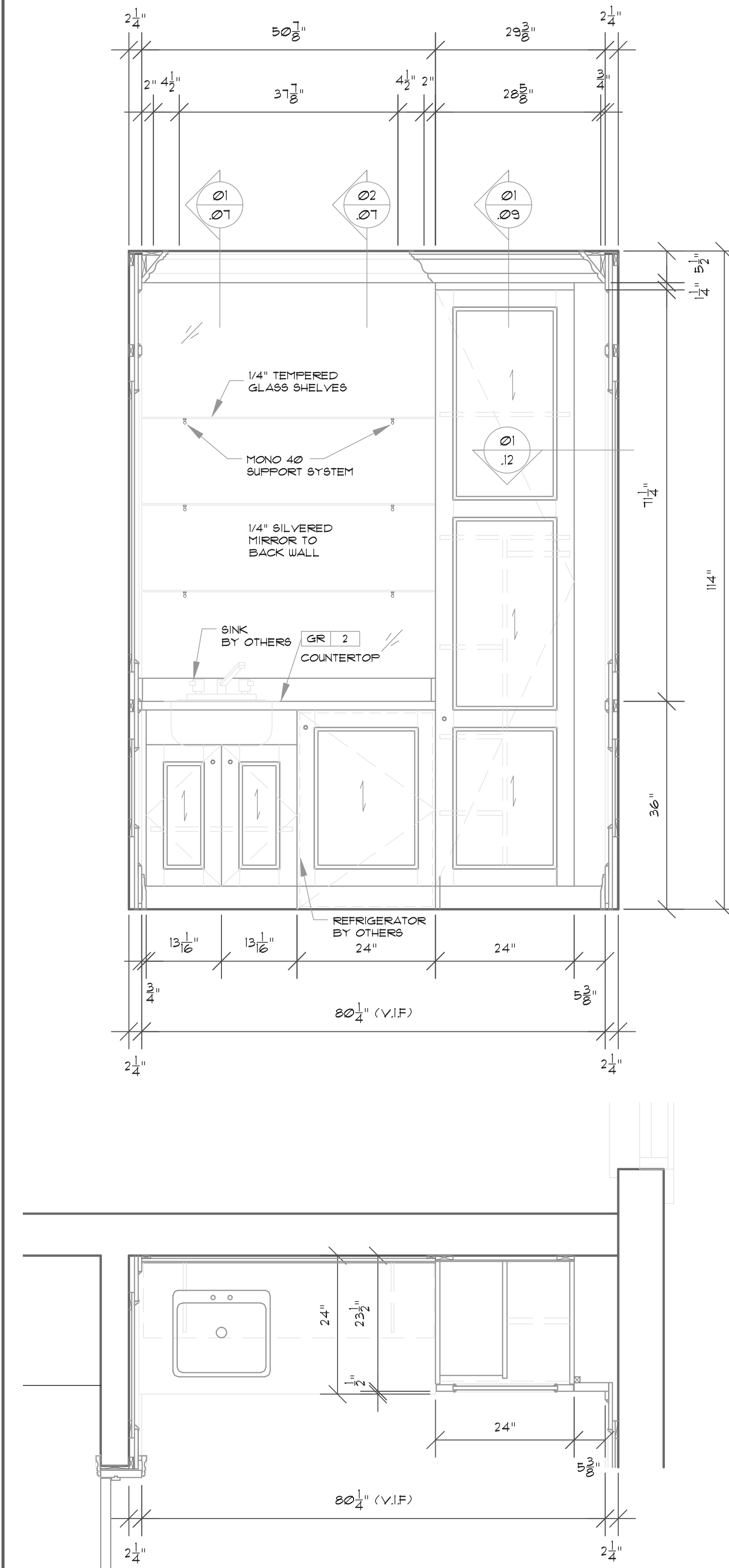
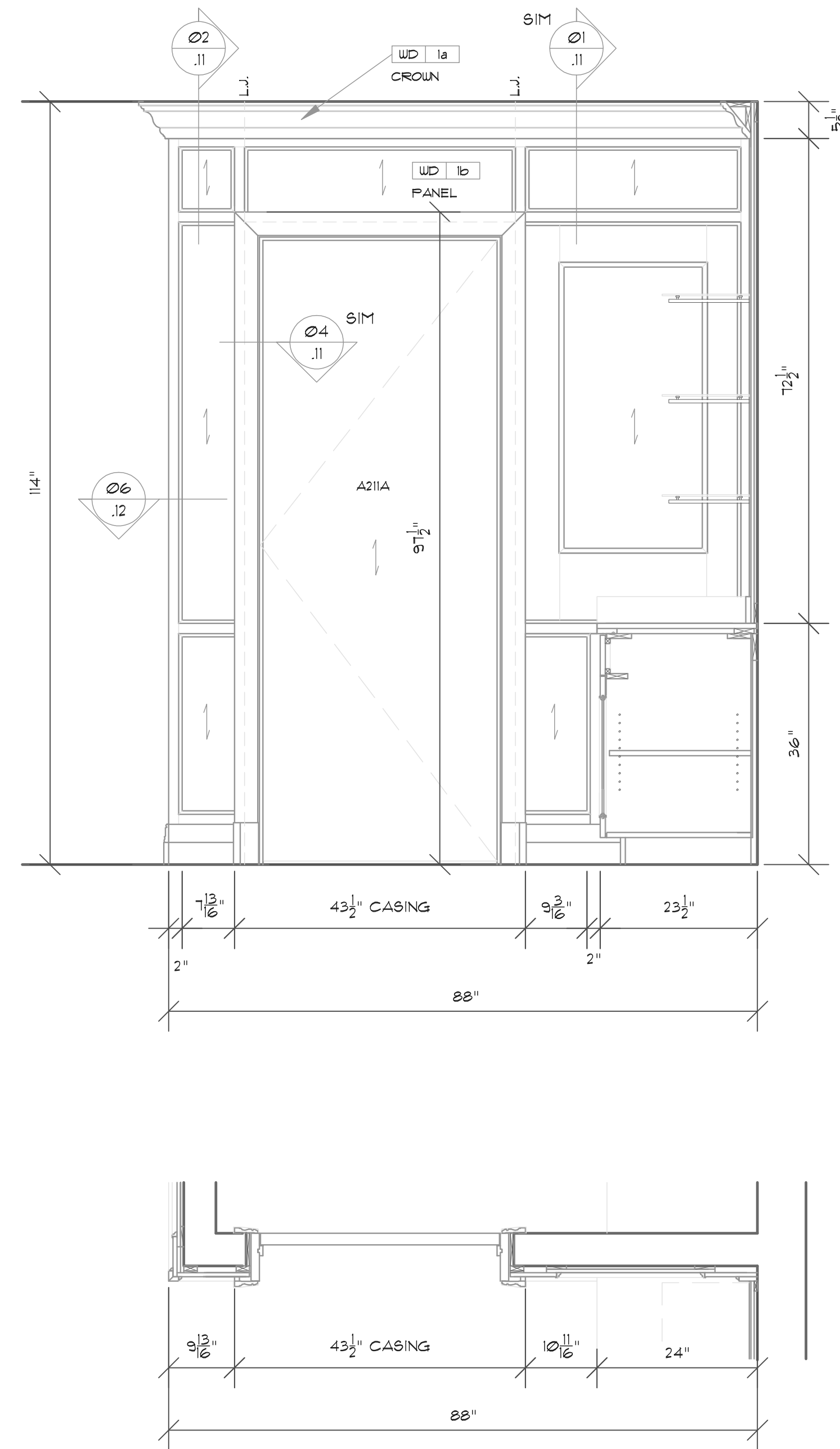
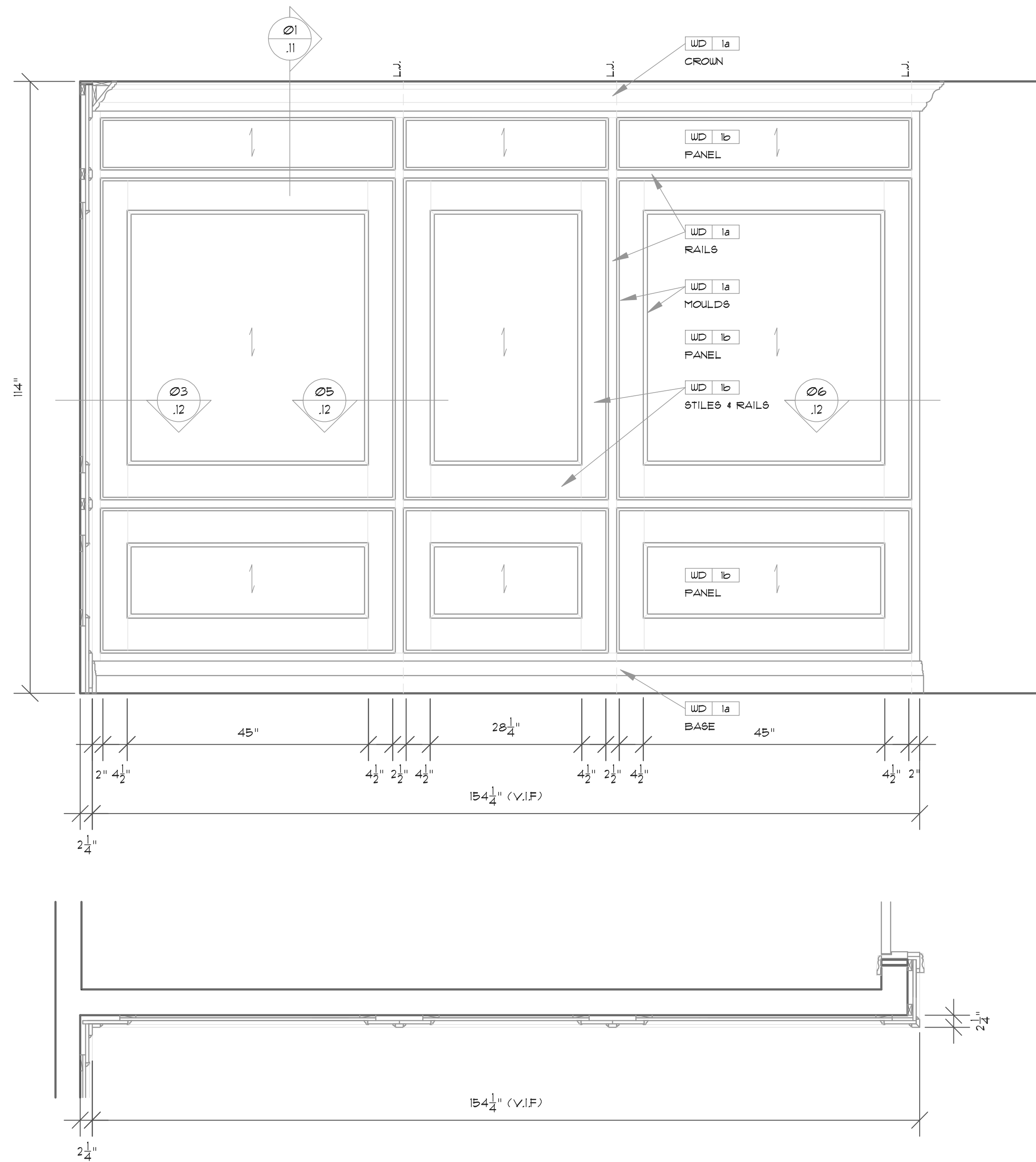
REF: 5/A5-05 SCALE: 3/4"=1' 03

- WD-1a PLAIN SAUN CHERRY FINISH PER APPROVED SAMPLE
- WD-1b PLAIN SLICED CHERRY FINISH PER APPROVED SAMPLE
- WD-2a QUARTER SAUN CHERRY FINISH PER APPROVED SAMPLE
- WD-2b QUARTER SLICED CHERRY FINISH PER APPROVED SAMPLE
- WD-3 MAPLE VENEER STAINED TO MATCH WD-1

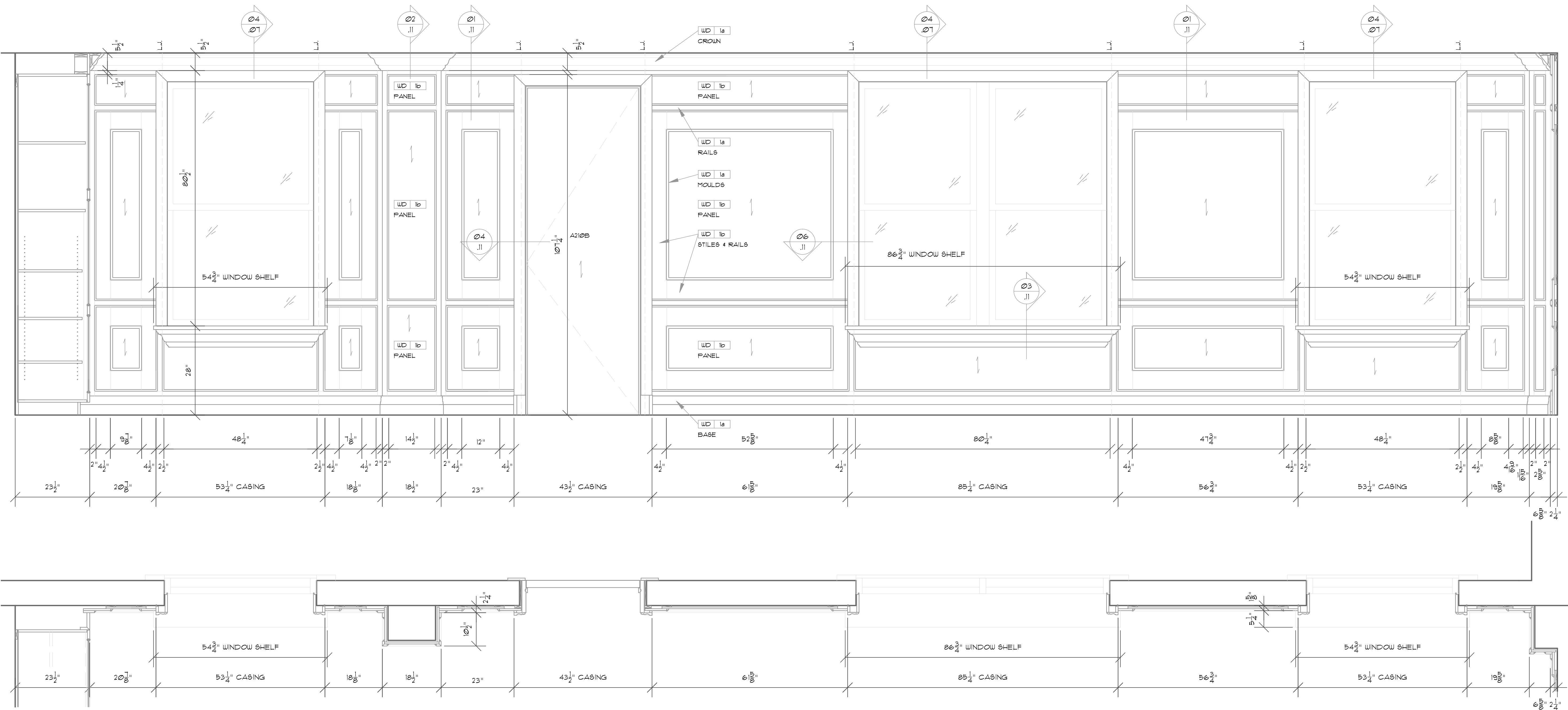
- 26ea KNOB - T.D.B.
- 44ea SPOON SHAPED 5MM BORE SHELF SUPPORT IF-111NF-C
- 16ea 'L' SHAPED 5MM BORE GLASS SHELF SUPPORT IF-1348WH-C
- 3pr GRASS FULL-OVERLAY HINGE GF-313VS-8
- 5pr 90SS HINGE #212
- 8ea PENDAFLEX FILE HANGER BLACK EA-2126BL (45" LONG)
- 10pr FULL EXTENSION DRAWER SLIDE KV-8920 SERIES 175 LBS
- 6ea MONO 40 HOLDERS MARLITE - 121432
- 6ea MONO 40 SHELF BRACKETS MARLITE - 121431
- 12ea MONO 40 GLASS BUMPER PADS MARLITE - 121526



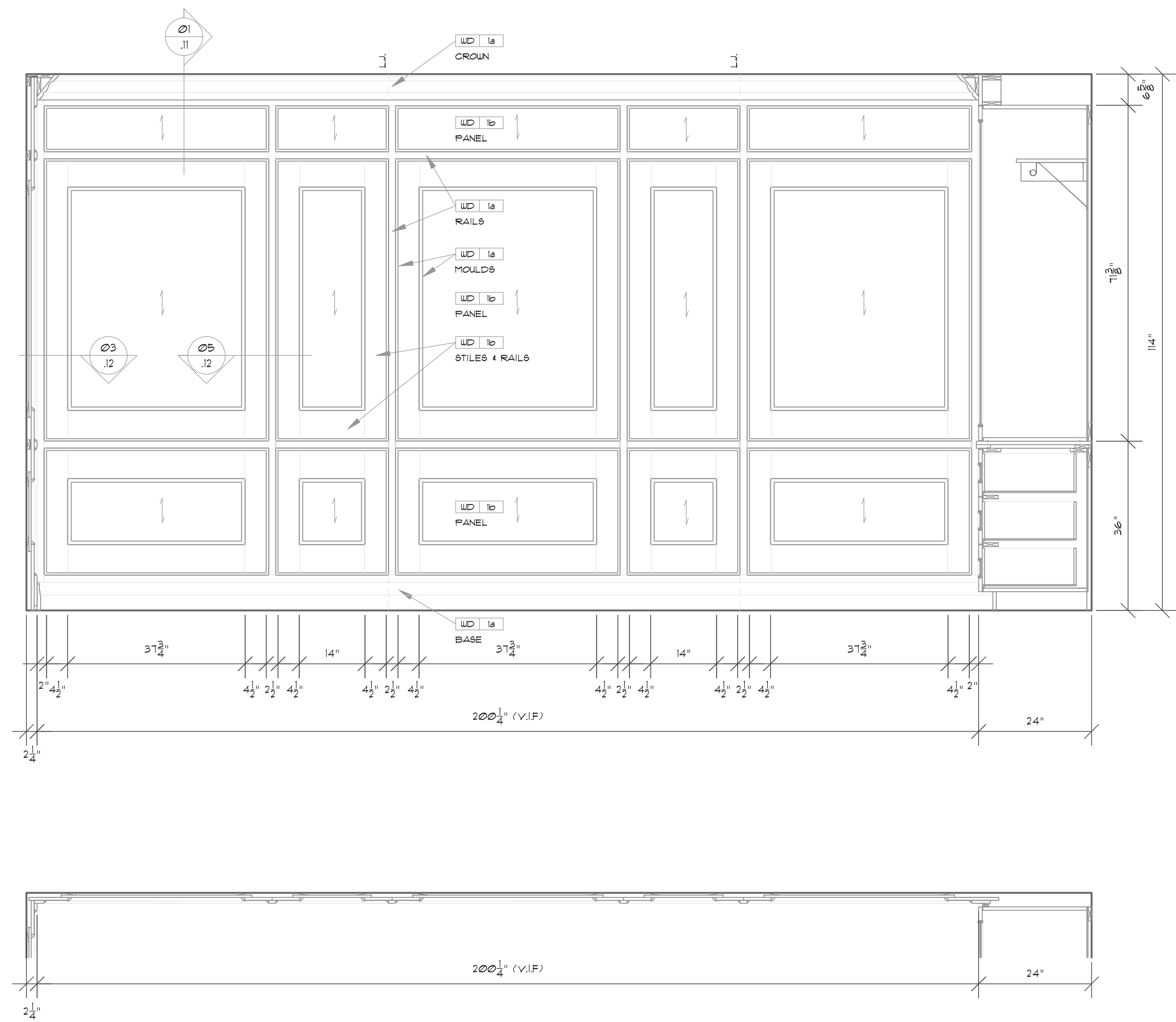
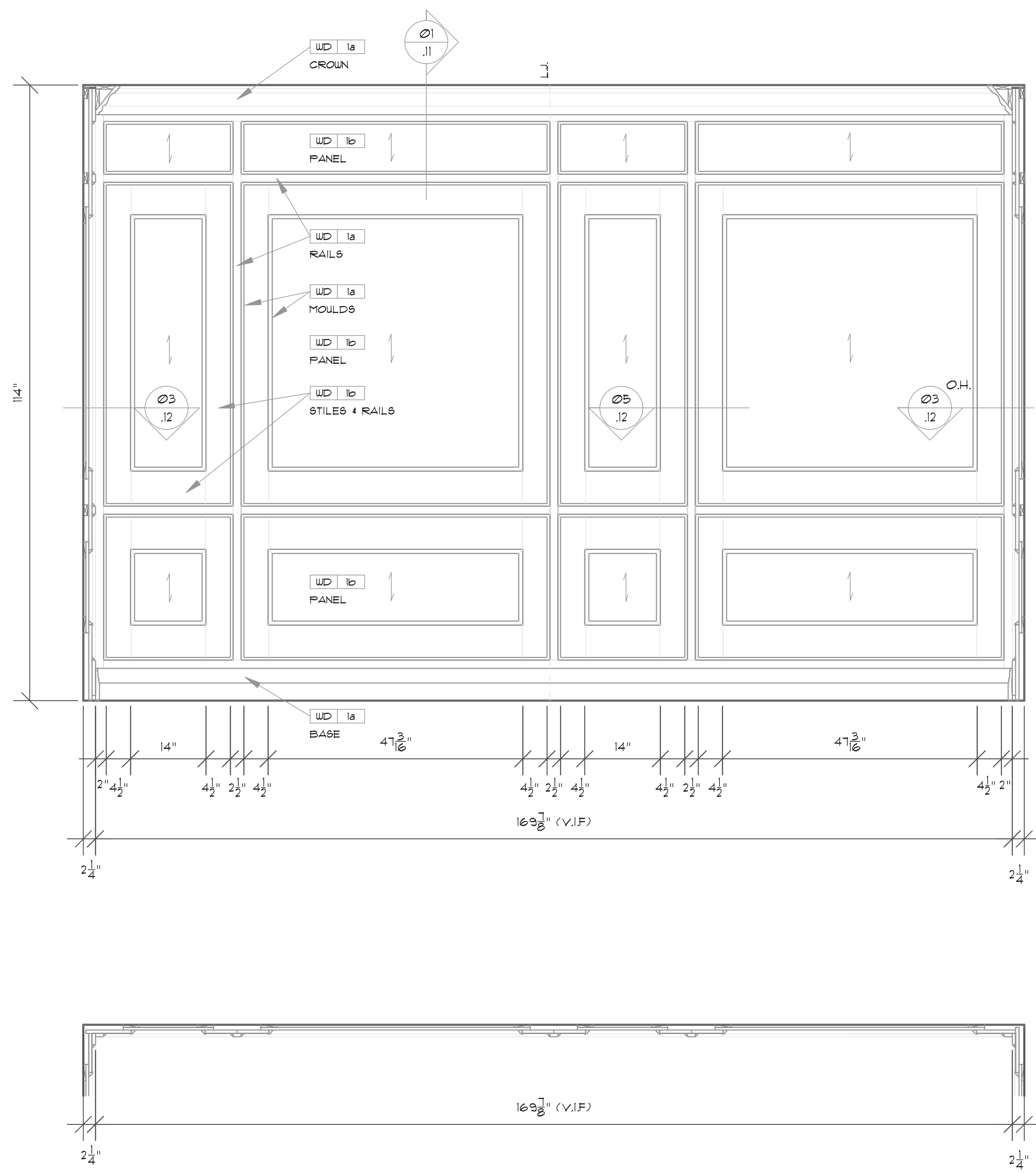
- WD-1a PLAIN SAUN CHERRY FINISH PER APPROVED SAMPLE
- WD-1b PLAIN SLICED CHERRY FINISH PER APPROVED SAMPLE
- WD-2a QUARTER SAUN CHERRY FINISH PER APPROVED SAMPLE
- WD-2b QUARTER SLICED CHERRY FINISH PER APPROVED SAMPLE
- WD-3 MAPLE VENEER STAINED TO MATCH WD-1



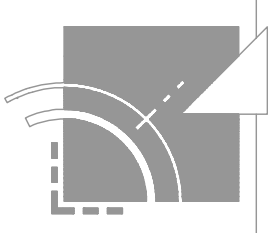
- WD-1a FLAIN SAUN CHERRY FINISH PER APPROVED SAMPLE
- WD-1b FLAIN SLICED CHERRY FINISH PER APPROVED SAMPLE
- WD-2a QUARTER SAUN CHERRY FINISH PER APPROVED SAMPLE
- WD-2b QUARTER SLICED CHERRY FINISH PER APPROVED SAMPLE
- WD-3 MAPLE VENEER STAINED TO MATCH WD-1

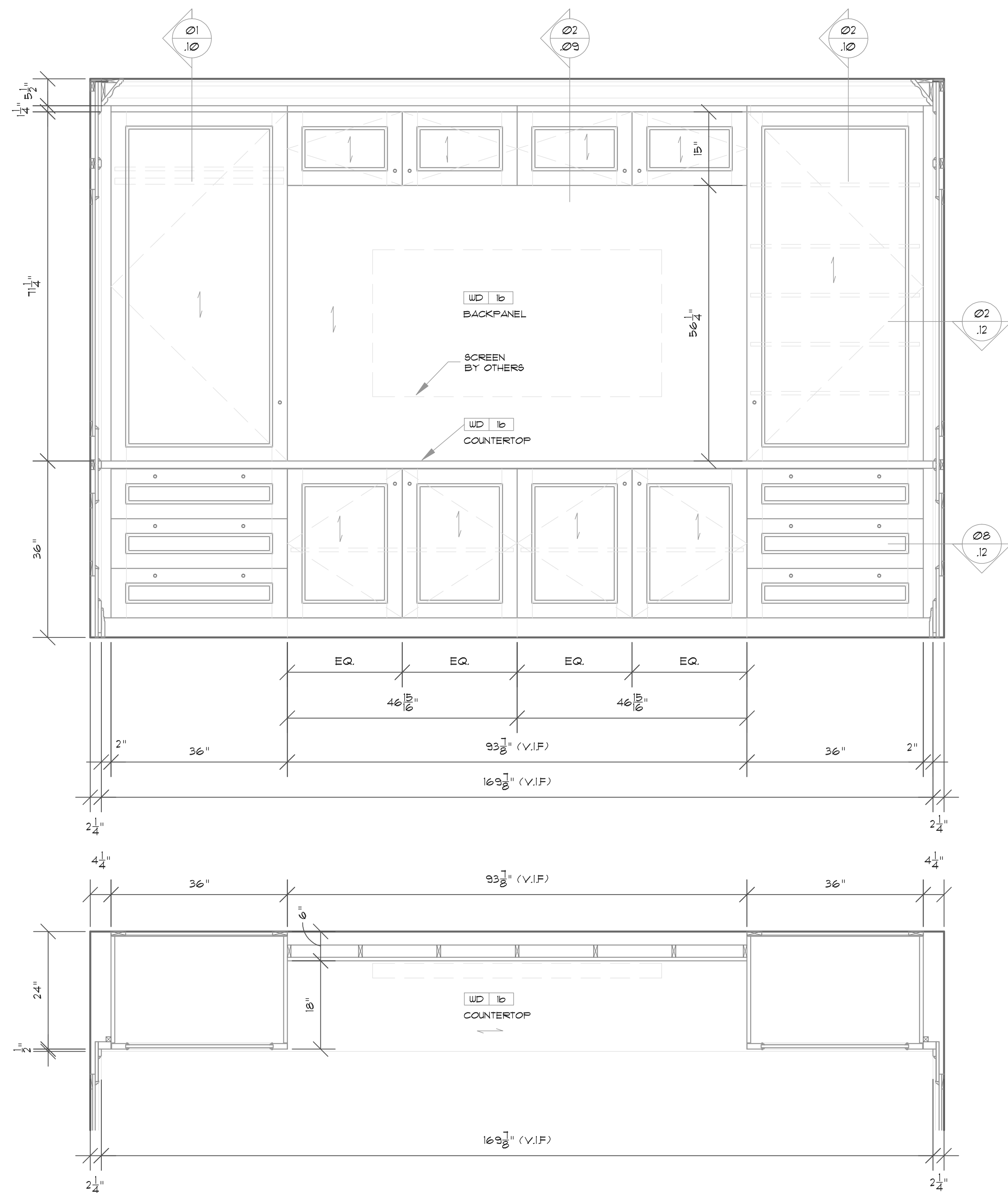


- WD-1a PLAIN SAUN CHERRY FINISH PER APPROVED SAMPLE
- WD-1b PLAIN SLICED CHERRY FINISH PER APPROVED SAMPLE
- WD-2a QUARTER SAUN CHERRY FINISH PER APPROVED SAMPLE
- WD-2b QUARTER SLICED CHERRY FINISH PER APPROVED SAMPLE
- WD-3 MAPLE VENEER STAINED TO MATCH WD-1



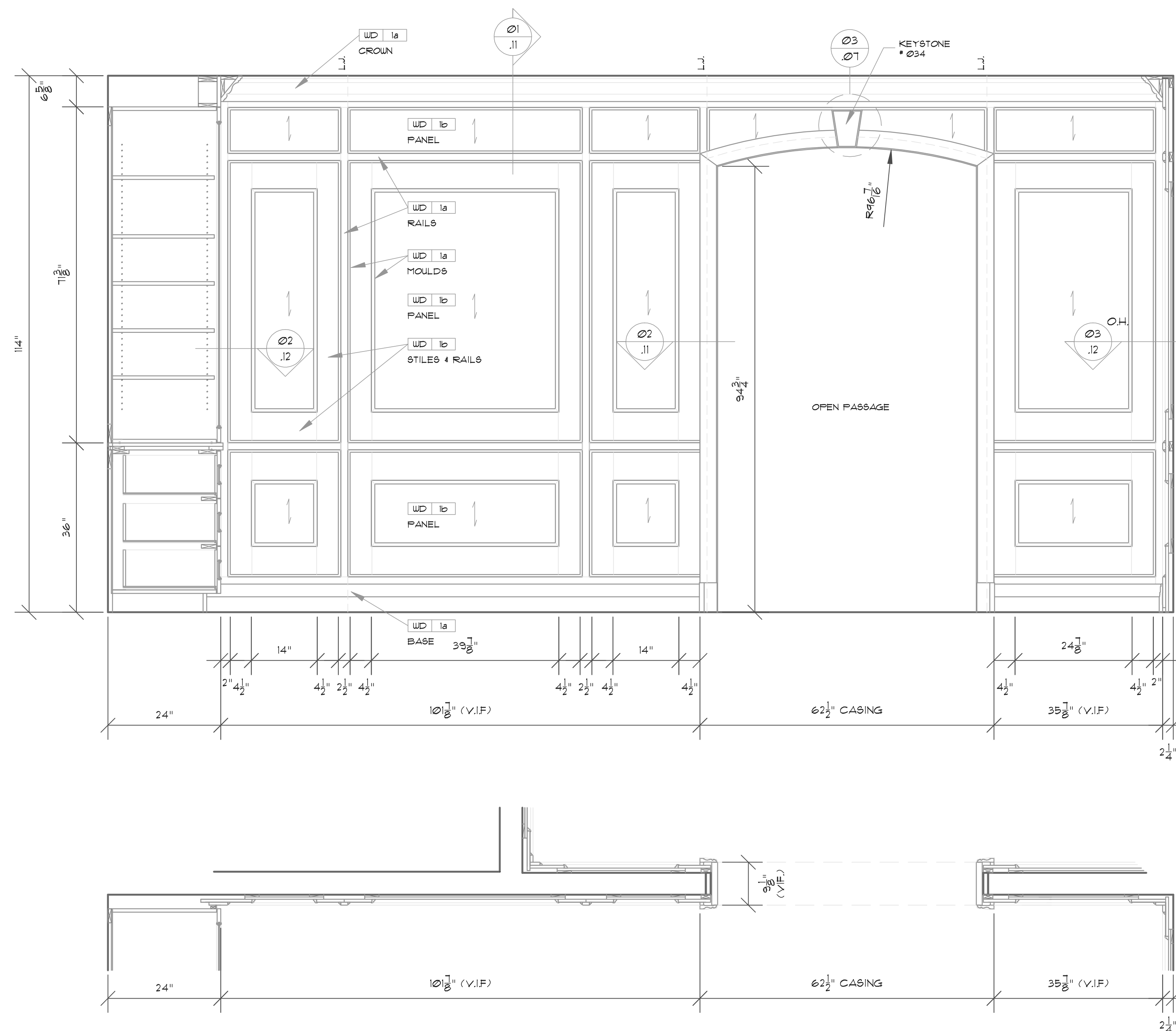
- WD-1a PLAIN SAUN CHERRY FINISH PER APPROVED SAMPLE
- WD-1b PLAIN SLICED CHERRY FINISH PER APPROVED SAMPLE
- WD-2a QUARTER SAUN CHERRY FINISH PER APPROVED SAMPLE
- WD-2b QUARTER SLICED CHERRY FINISH PER APPROVED SAMPLE
- WD-3 MAPLE VENEER STAINED TO MATCH WD-1





ELEVATION / PLAN SCREENING RM.A212

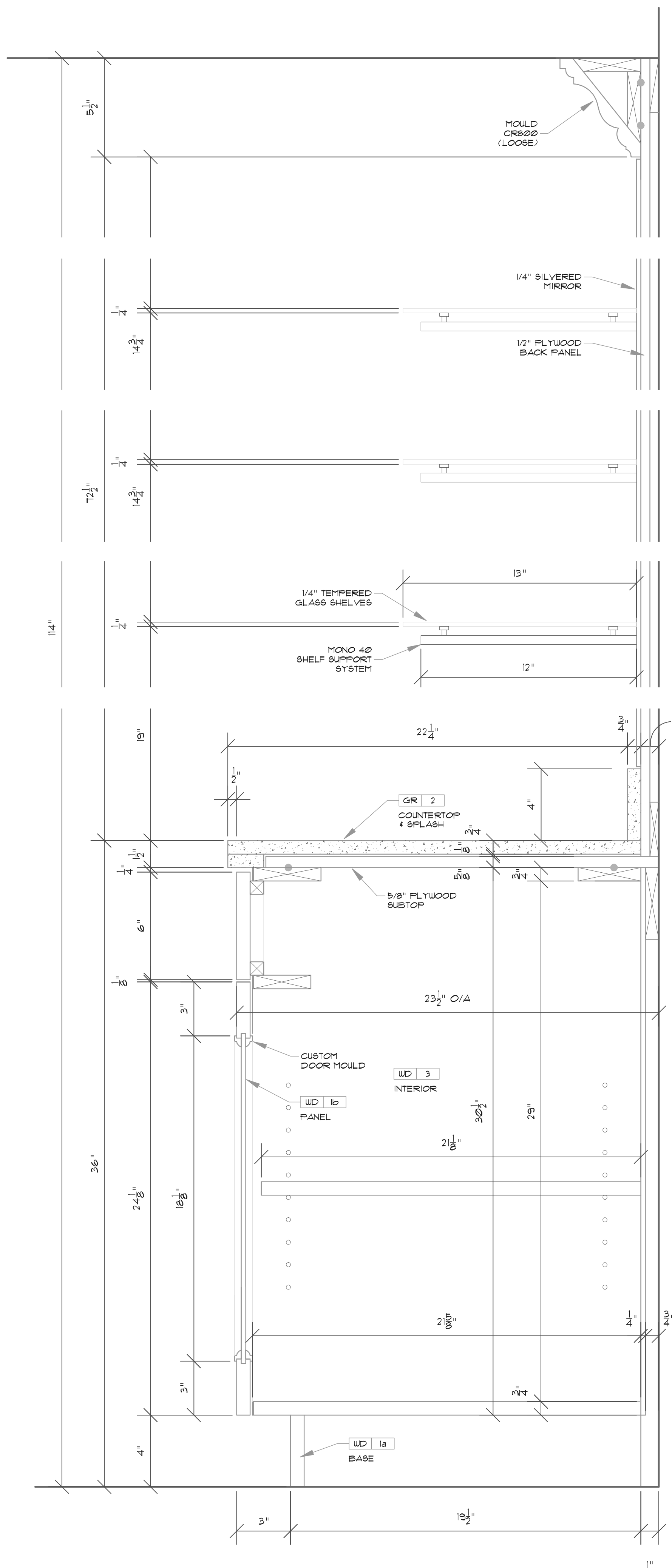
REF: 14/A5-05 SCALE: 3/4"=1' 01



ELEVATION / PLAN SCREENING RM.A212

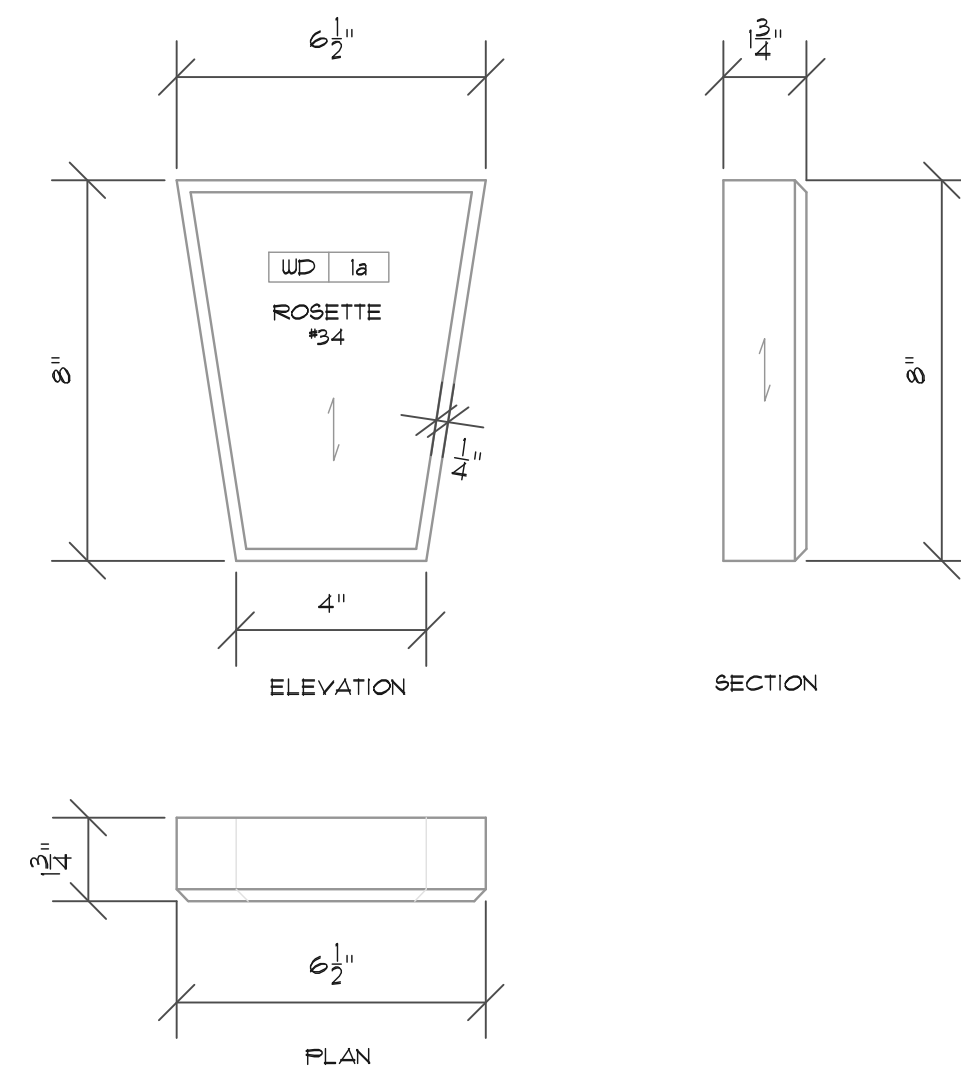
REF: 13/A5-05 SCALE: 3/4"=1' 02

- WD-1a PLAIN SAUN CHERRY FINISH PER APPROVED SAMPLE
- WD-1b PLAIN SLICED CHERRY FINISH PER APPROVED SAMPLE
- WD-2a QUARTER SAUN CHERRY FINISH PER APPROVED SAMPLE
- WD-2b QUARTER SLICED CHERRY FINISH PER APPROVED SAMPLE
- WD-3 MAPLE VENEER STAINED TO MATCH WD-1



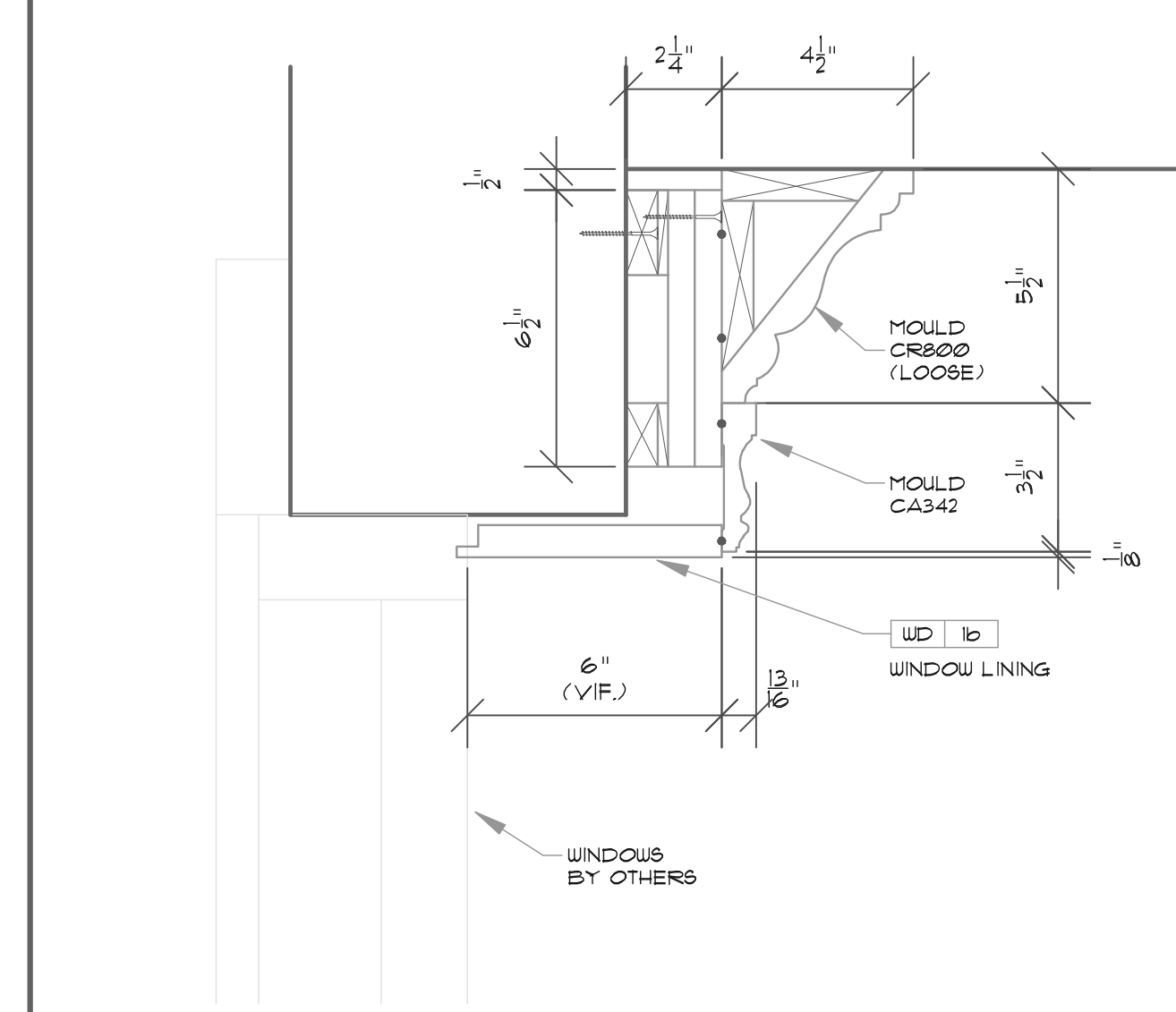
END SECTION RM.A210

SCALE: 3"=1' 01



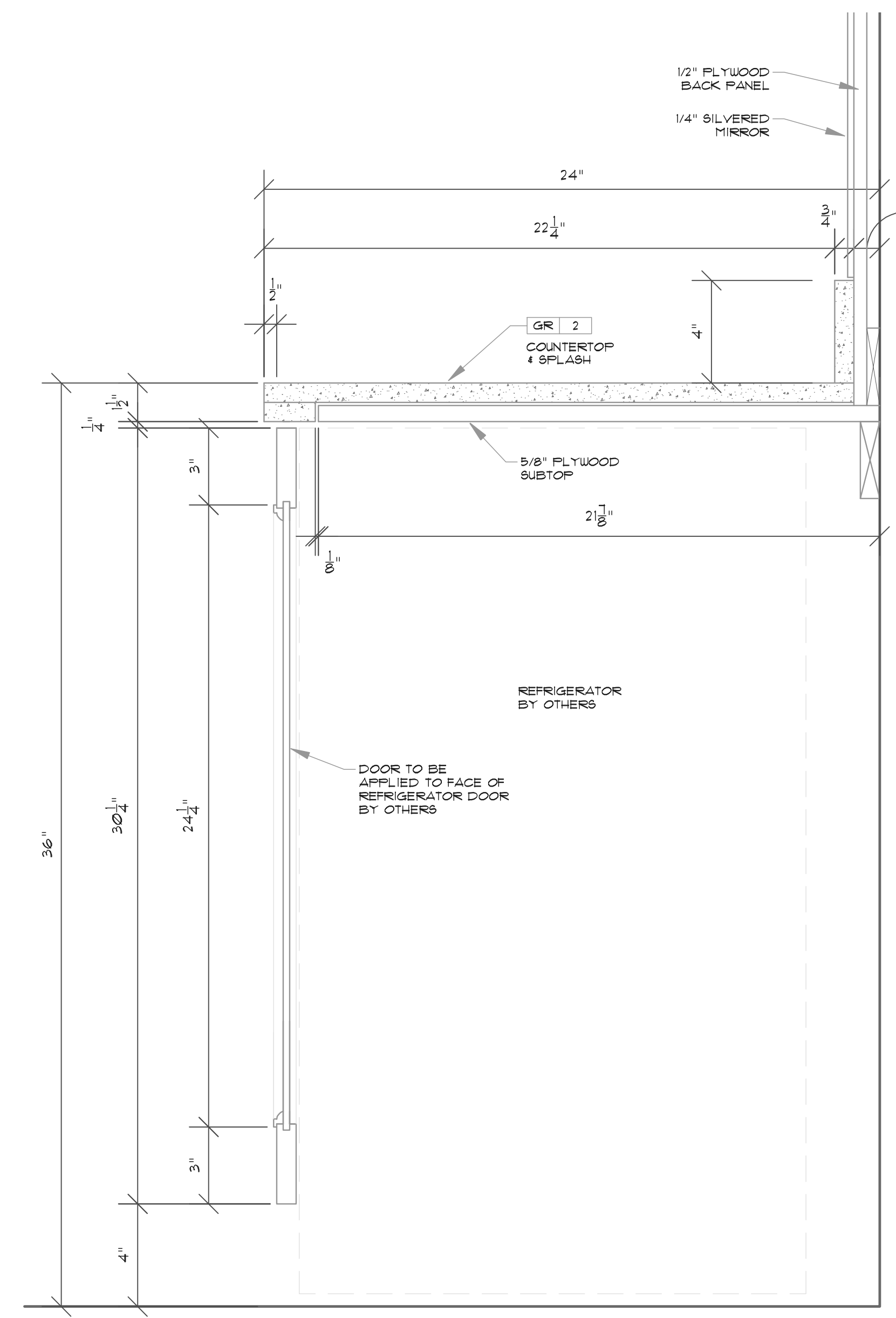
KEYSTONE DETAILS

SCALE: 3"=1' 03



END SECTION RM. A210

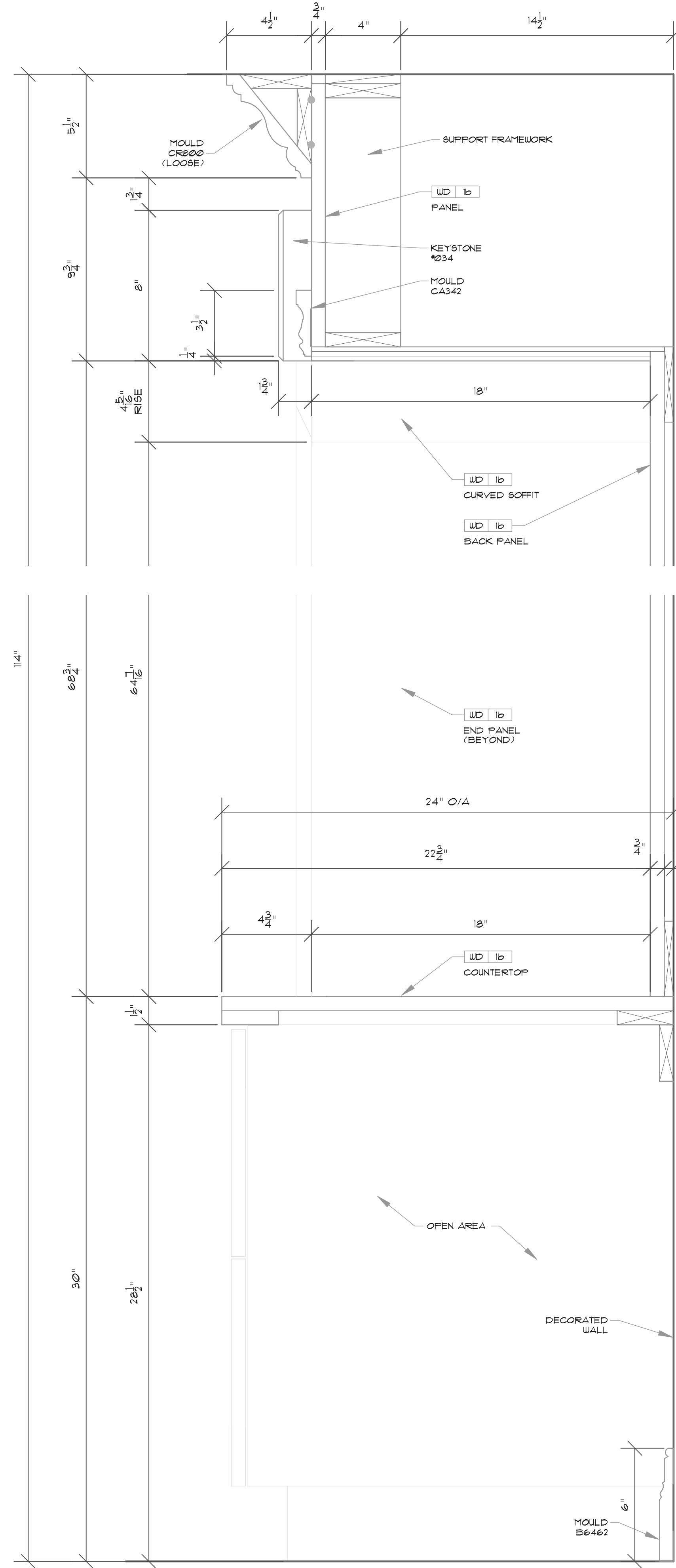
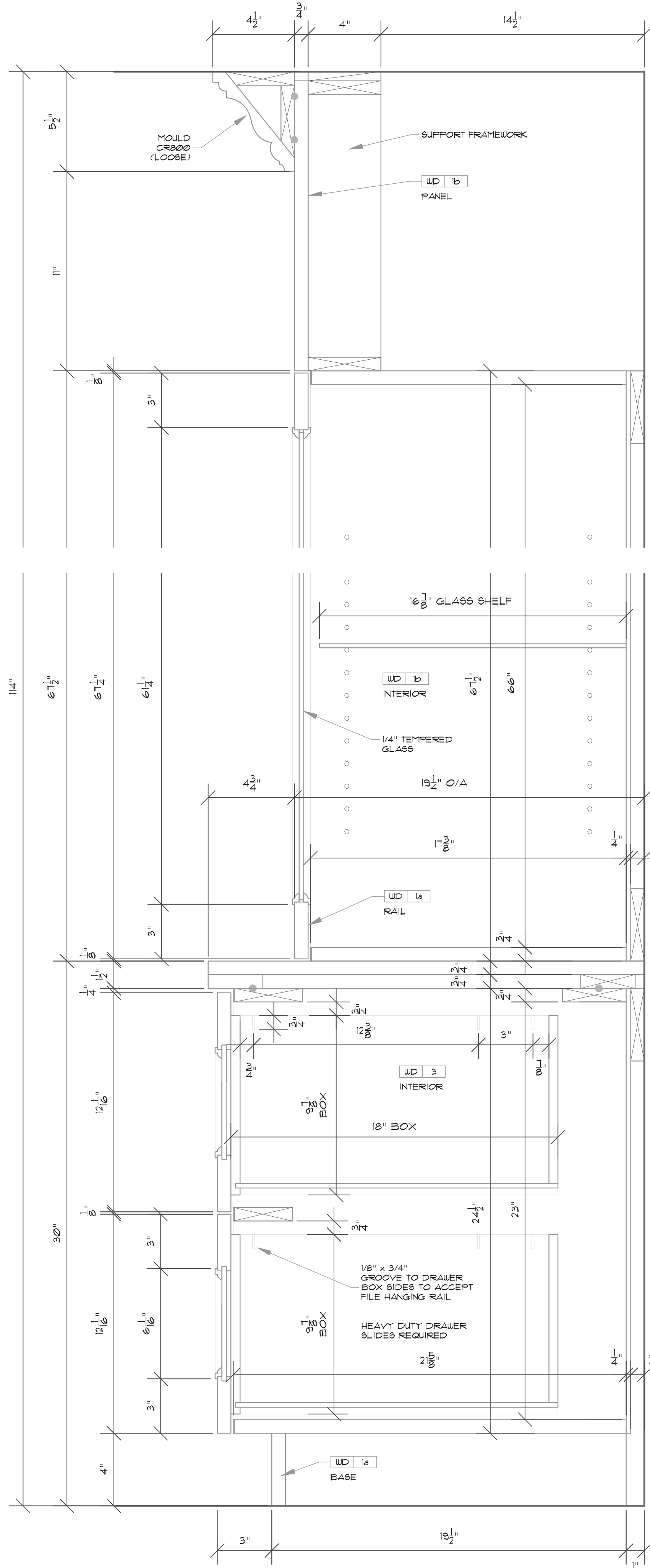
SCALE: 3"=1' 04



END SECTION RM.A210

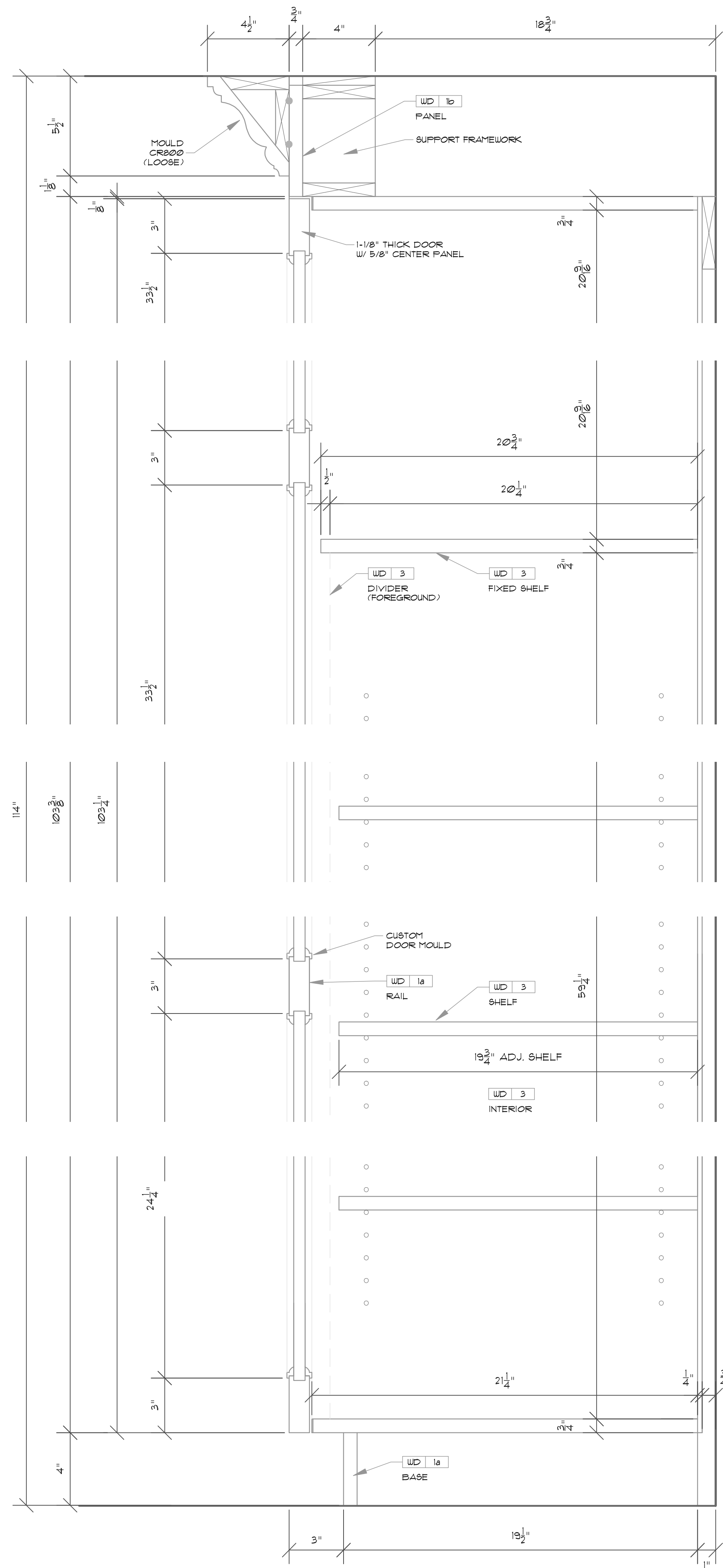
SCALE: 3"=1' 02

- WD-1a FLAIN SAUN CHERRY FINISH PER APPROVED SAMPLE
- WD-1b FLAIN SLICED CHERRY FINISH PER APPROVED SAMPLE
- WD-2a QUARTER SAUN CHERRY FINISH PER APPROVED SAMPLE
- WD-2b QUARTER SLICED CHERRY FINISH PER APPROVED SAMPLE
- WD-3 MAPLE VENEER STAINED TO MATCH WD-1



- WD-1a PLAIN SAUN CHERRY FINISH PER APPROVED SAMPLE
- WD-1b PLAIN SLICED CHERRY FINISH PER APPROVED SAMPLE
- WD-2a QUARTER SAUN CHERRY FINISH PER APPROVED SAMPLE
- WD-2b QUARTER SLICED CHERRY FINISH PER APPROVED SAMPLE
- WD-3 MAPLE VENEER STAINED TO MATCH WD-1

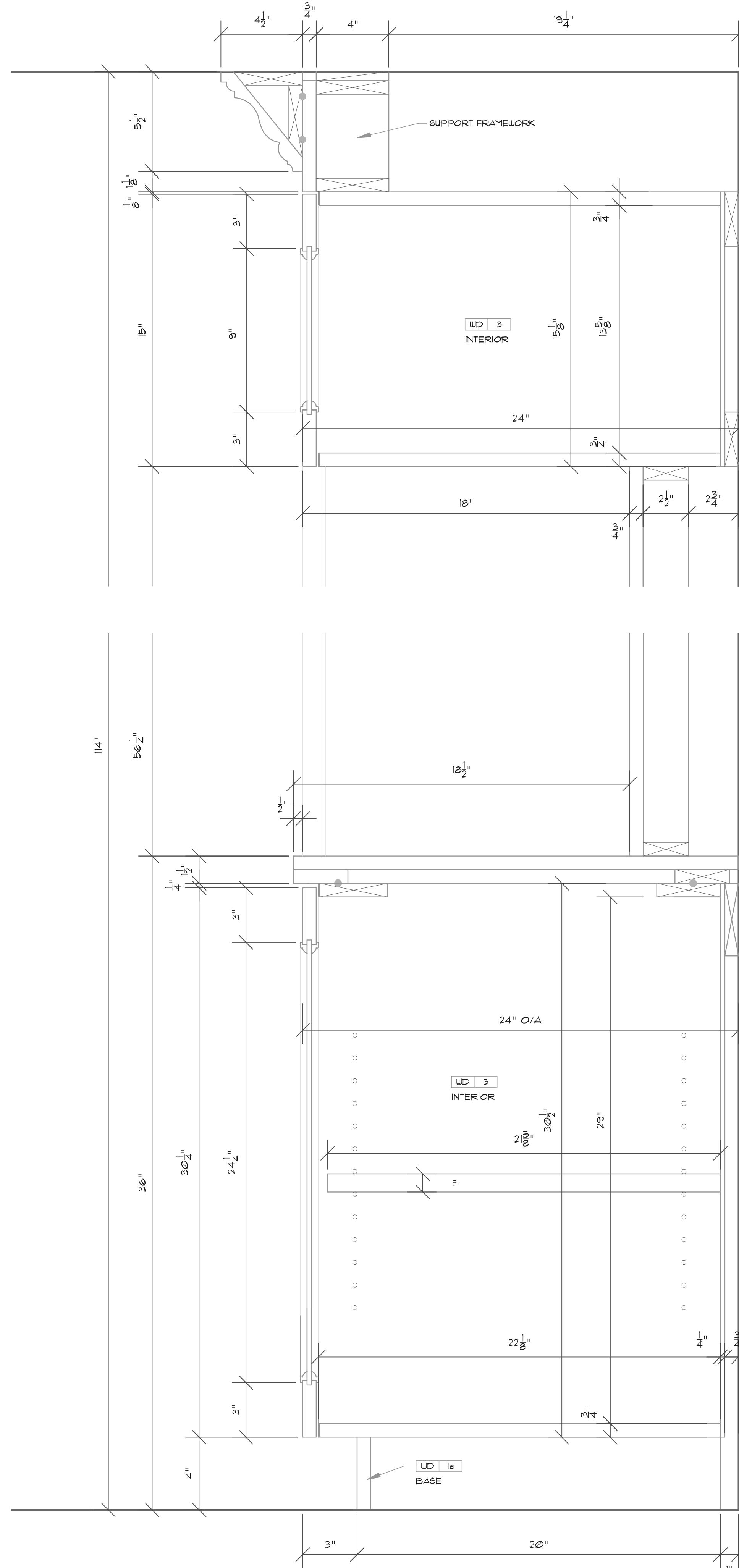




END SECTION RM.A210

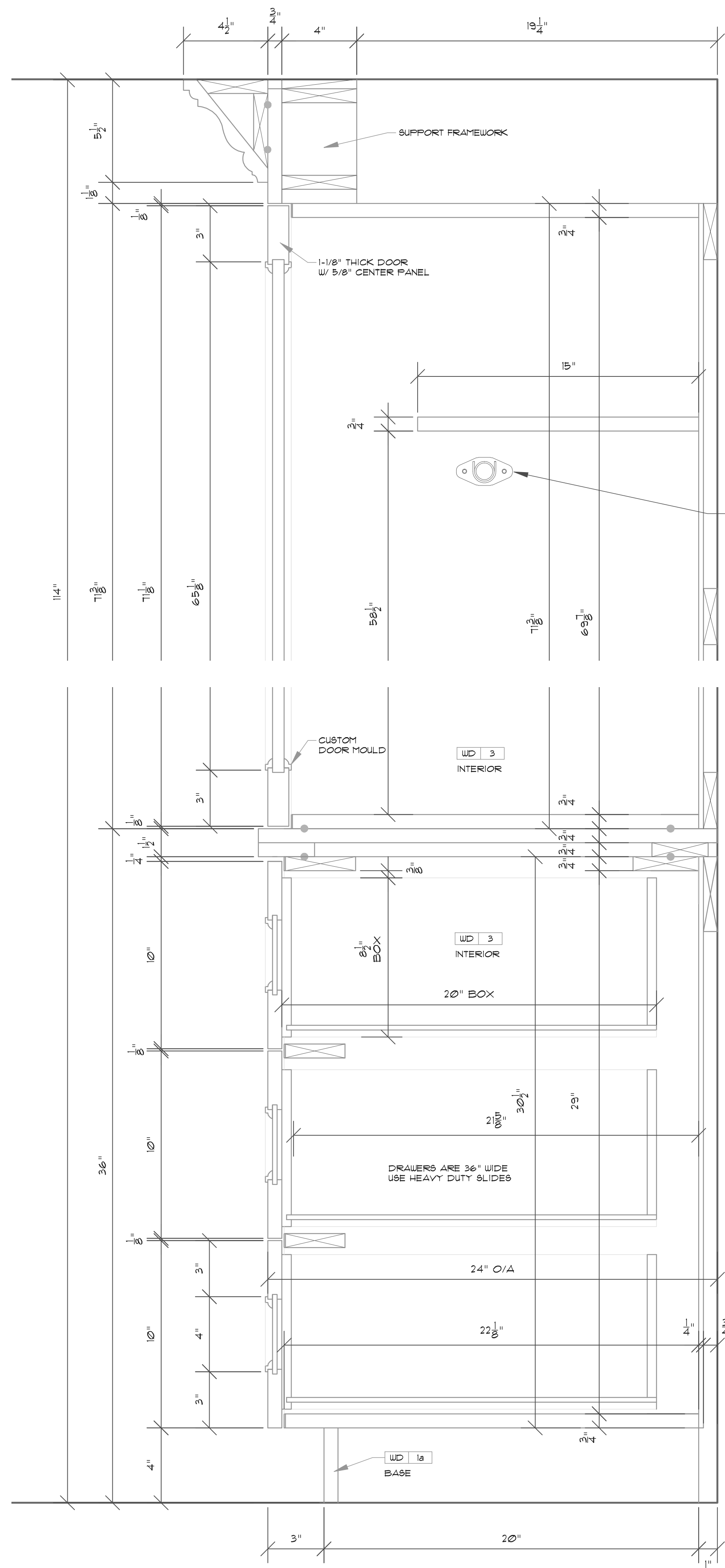
SCALE: 3/8"=1' 01

END SECTION RM.A212

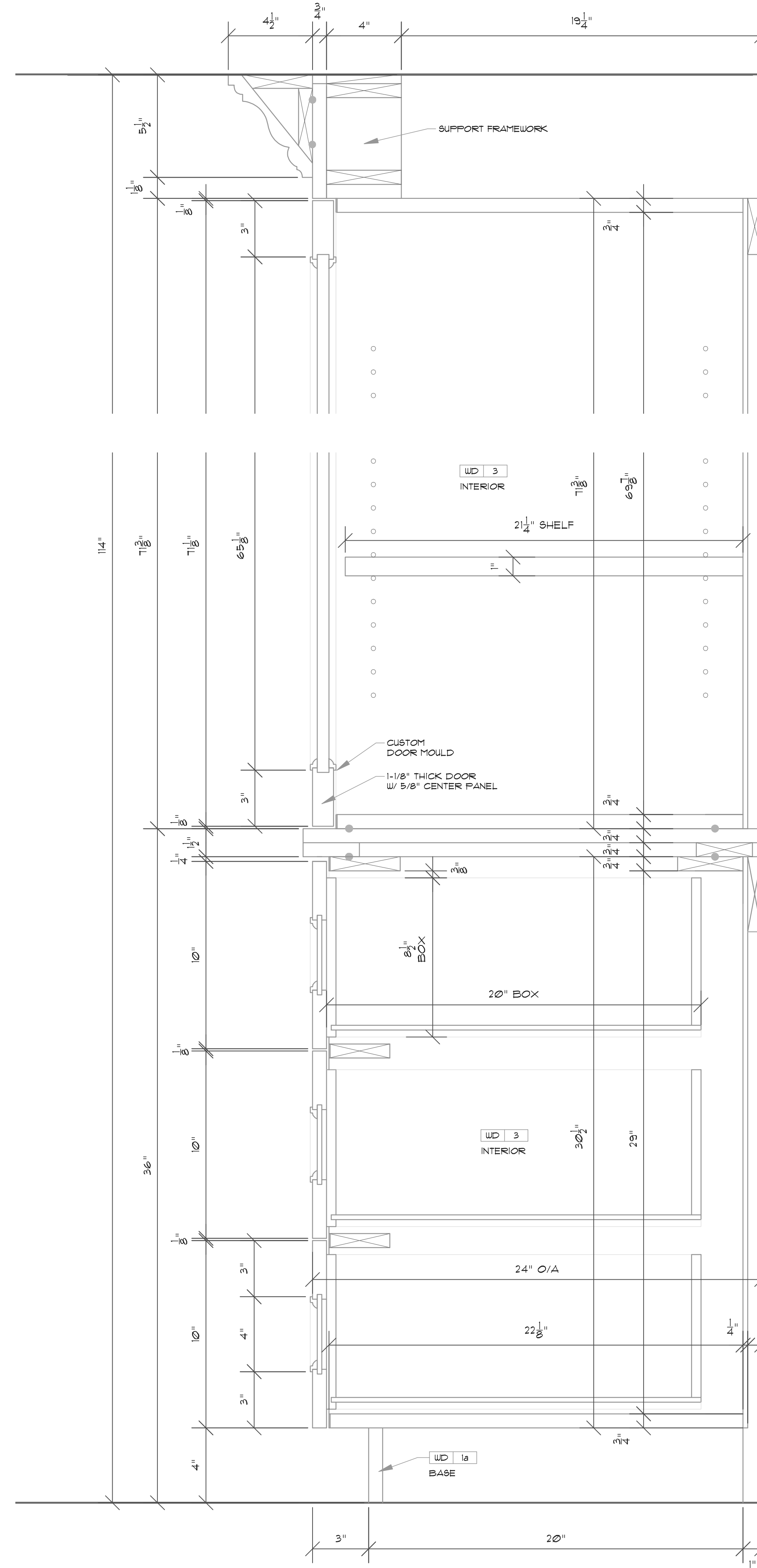


SCALE: 3/8"=1' 02

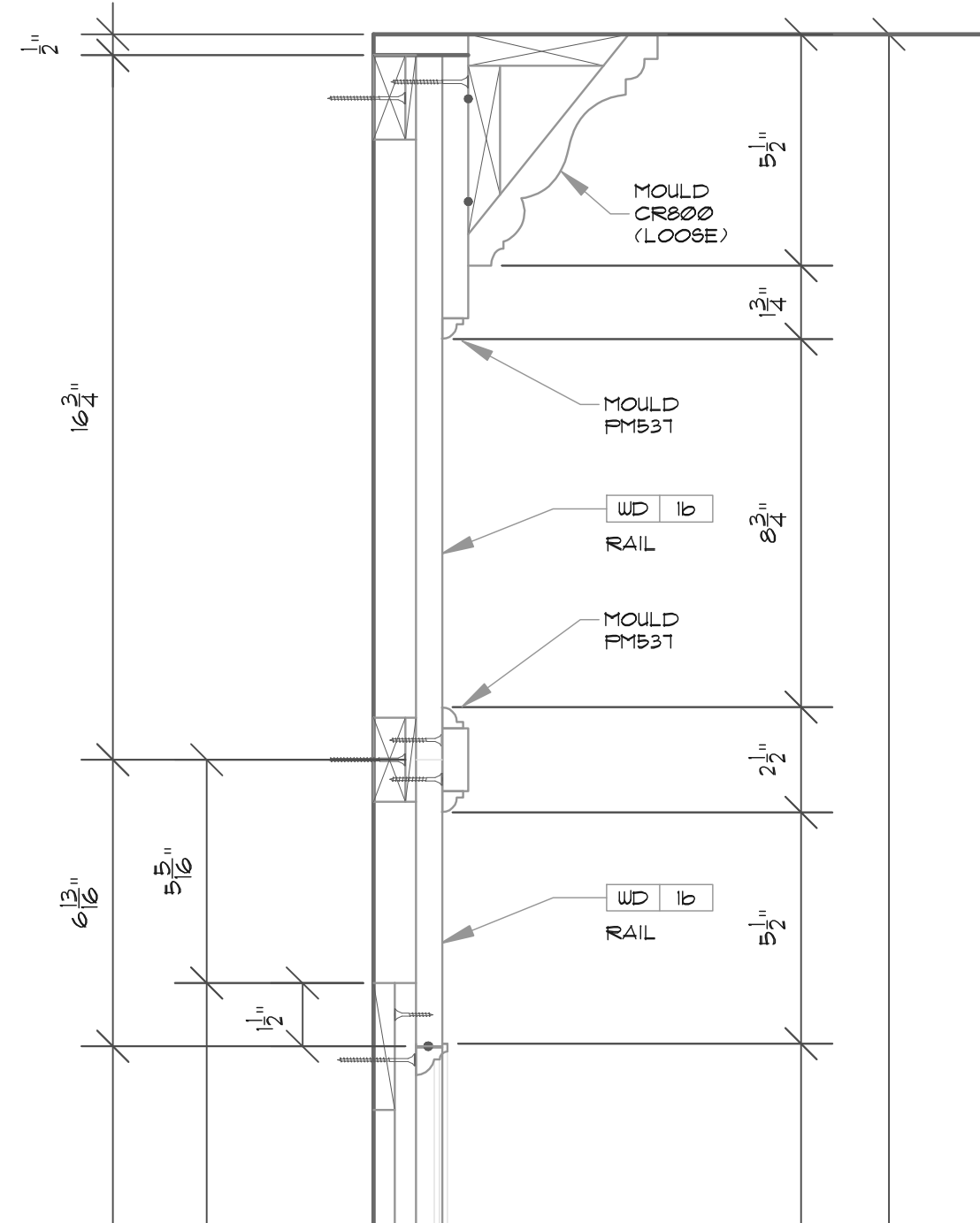
- WD-1a PLAIN SAUN CHERRY FINISH PER APPROVED SAMPLE
- WD-1b PLAIN SLICED CHERRY FINISH PER APPROVED SAMPLE
- WD-2a QUARTER SAUN CHERRY FINISH PER APPROVED SAMPLE
- WD-2b QUARTER SLICED CHERRY FINISH PER APPROVED SAMPLE
- WD-3 MAPLE VENEER STAINED TO MATCH WD-1



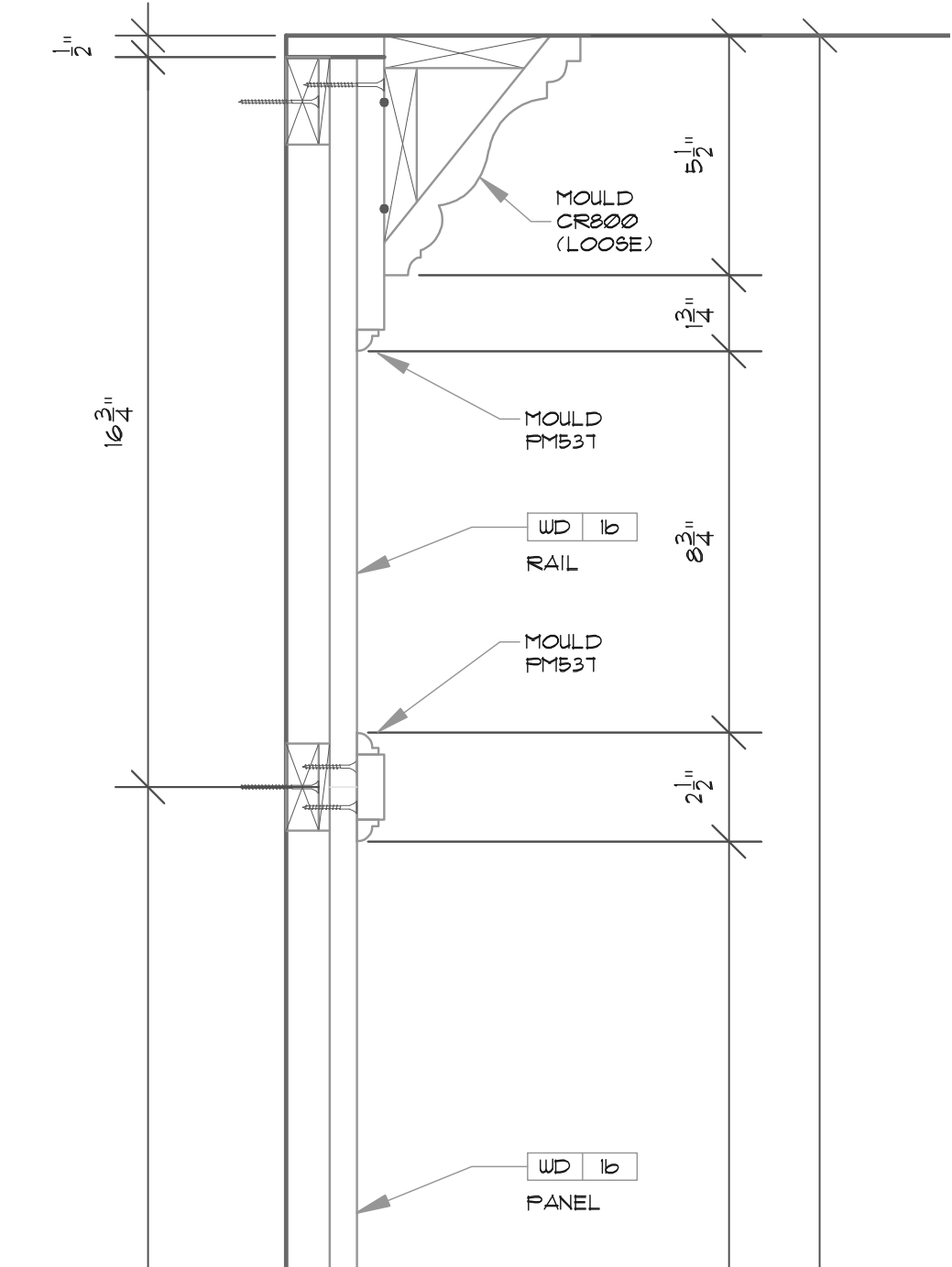
LAVI HANG ROD FLANGE  
W/ LAVI CHROME ROD



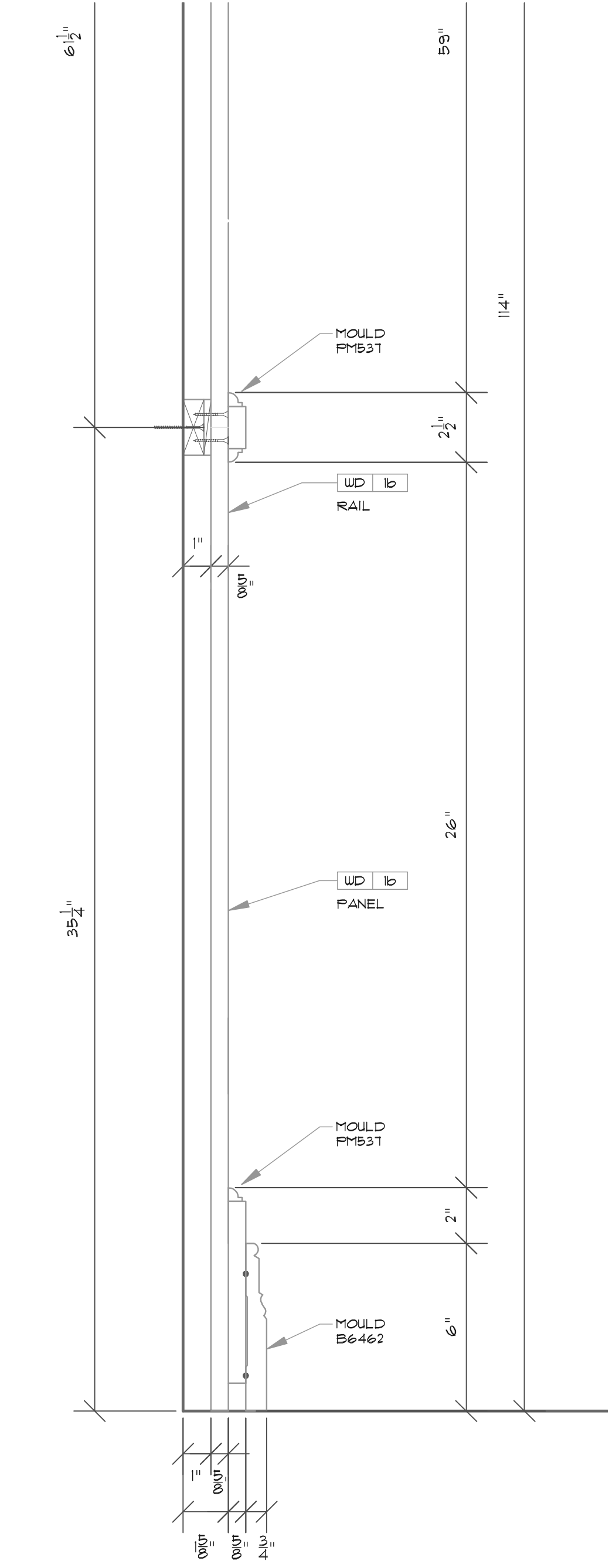
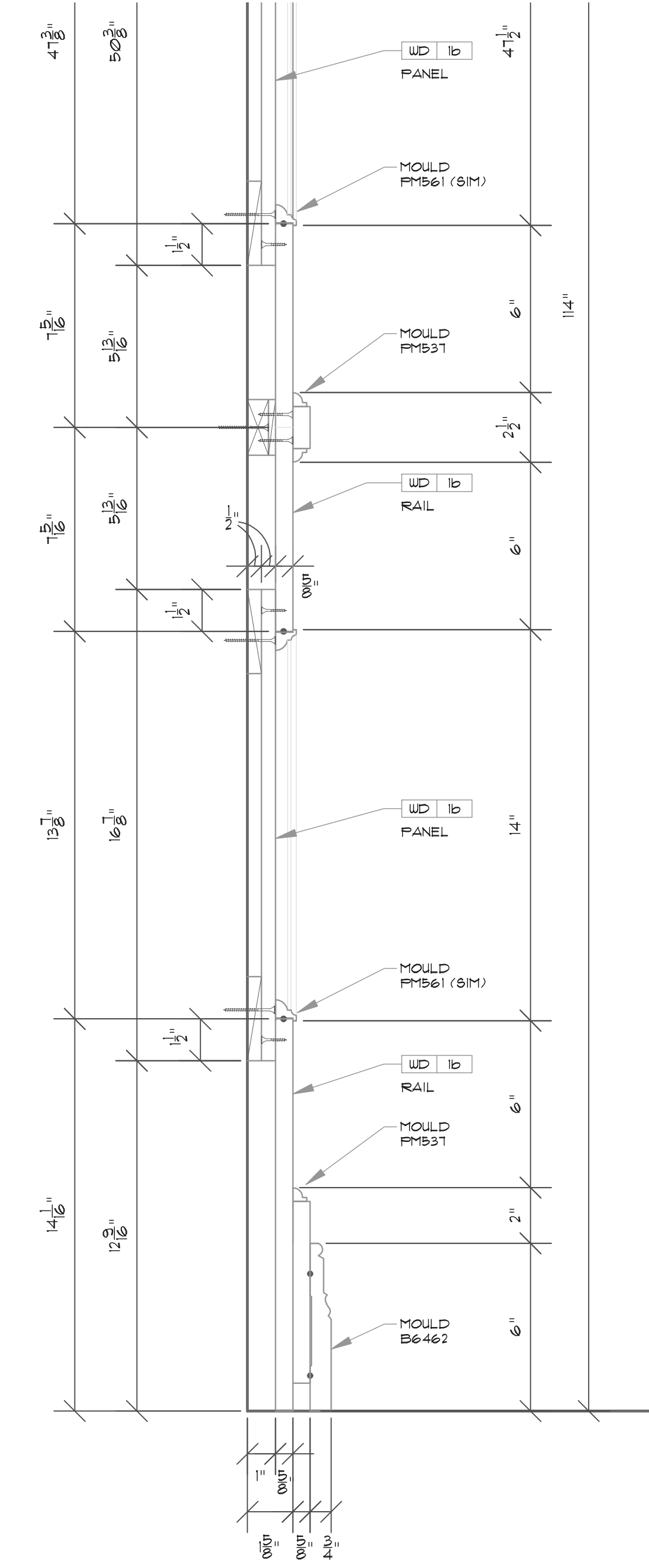
- WD-1a PLAIN SAUN CHERRY  
FINISH PER APPROVED  
SAMPLE
- WD-1b PLAIN SLICED CHERRY  
FINISH PER APPROVED  
SAMPLE
- WD-2a QUARTER SAUN  
CHERRY FINISH PER  
APPROVED SAMPLE
- WD-2b QUARTER SLICED  
CHERRY FINISH PER  
APPROVED SAMPLE
- WD-3 MAPLE VENEER  
STAINED TO MATCH WD-1



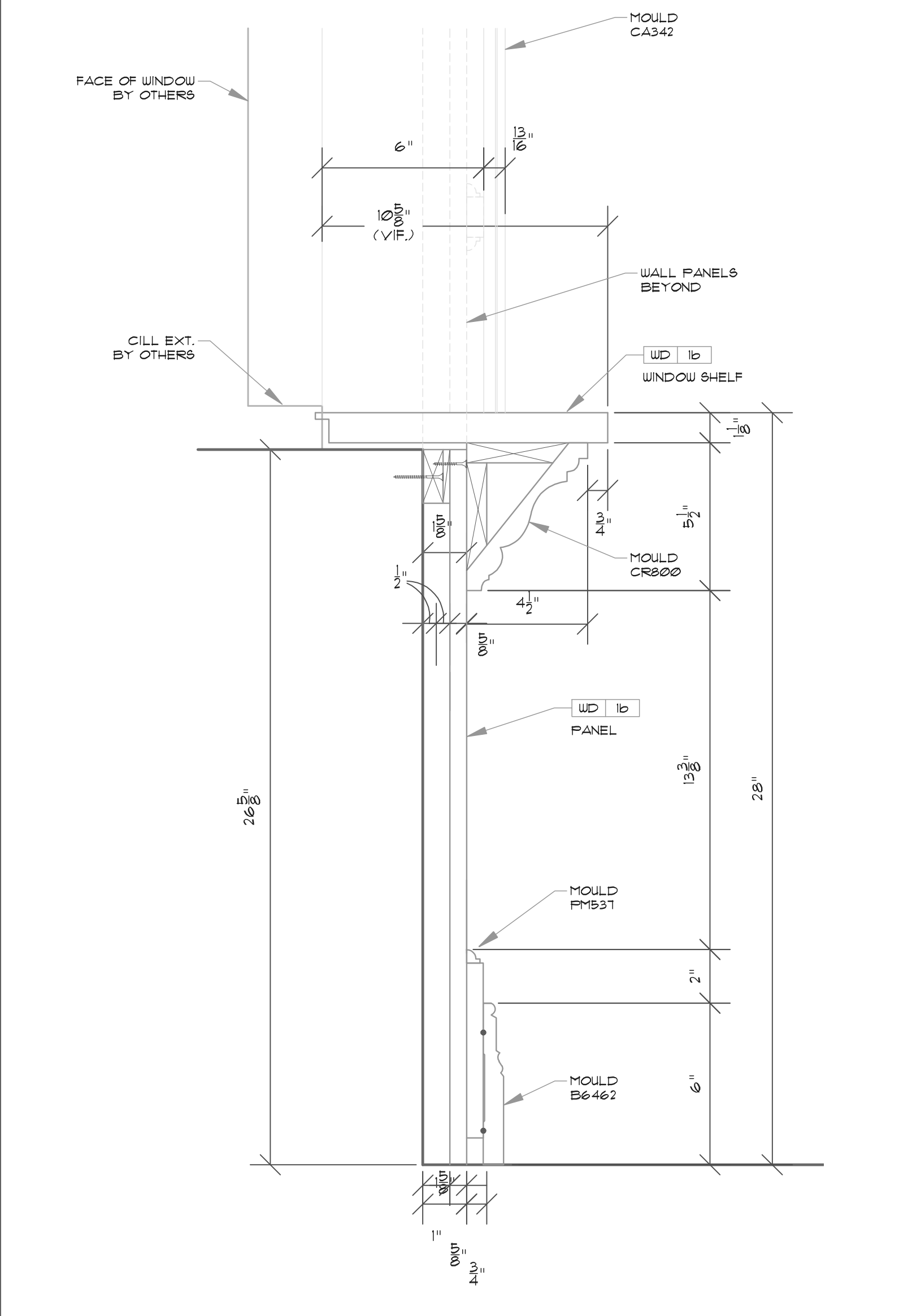
END SECTION RM.A210 & A212 SCALE: 3"=1" 01



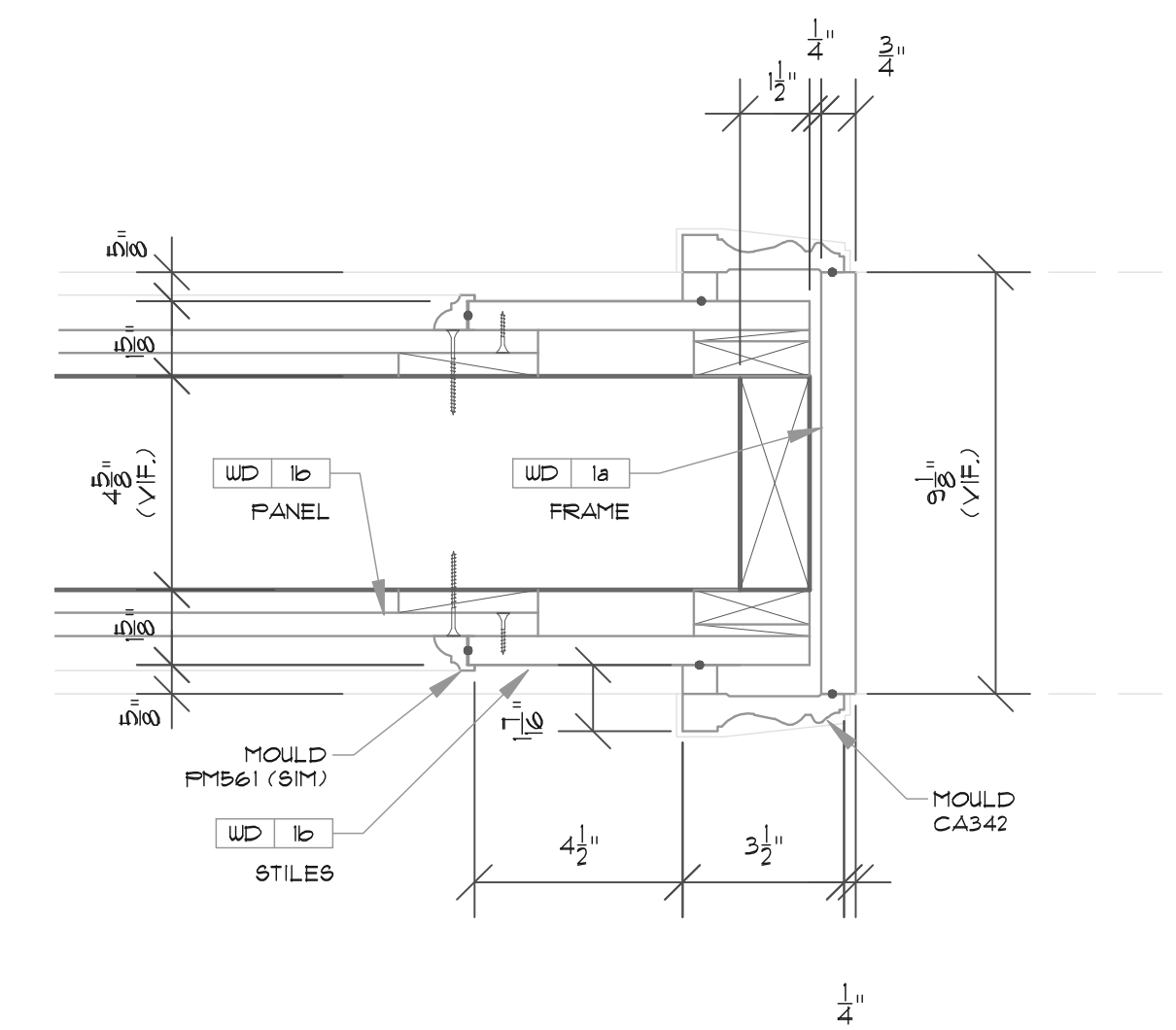
END SECTION RM.A210 SCALE: 3"=1" 02



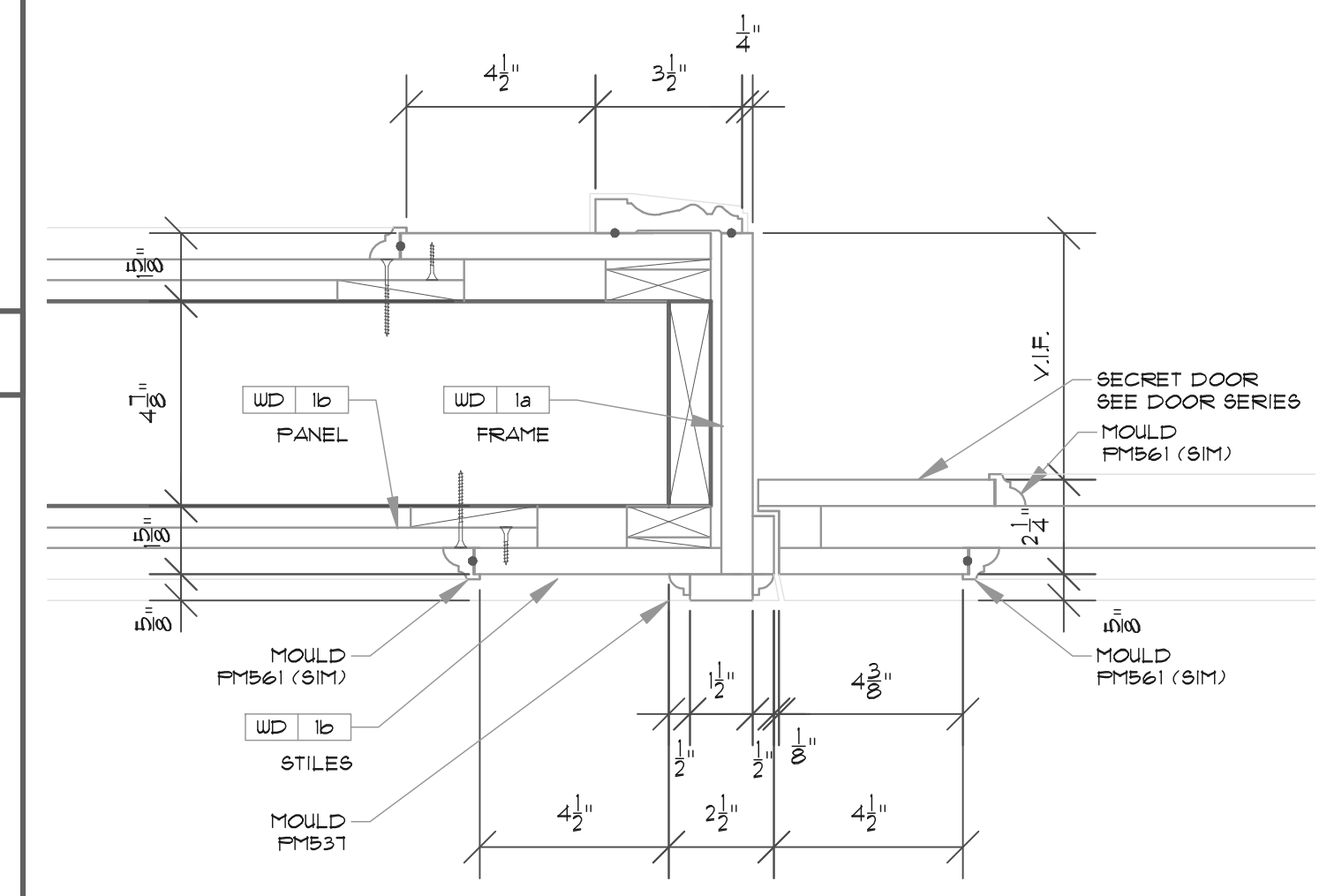
PLAN SECTION RM.A210 SCALE: 3"=1" 03



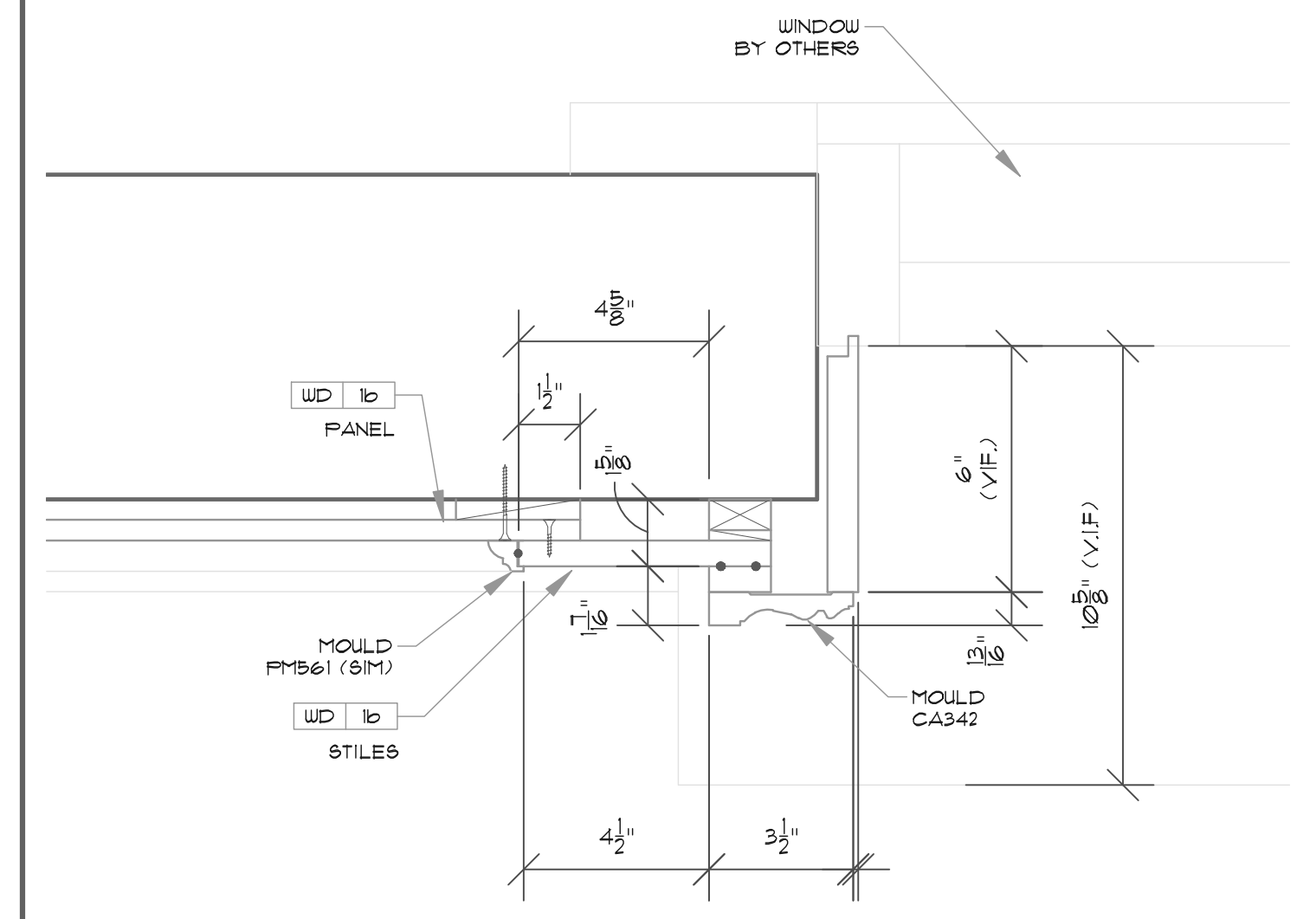
END SECTION RM.A210 SCALE: 3"=1" 04



PLAN SECTION RM.A210 SCALE: 3"=1" 05

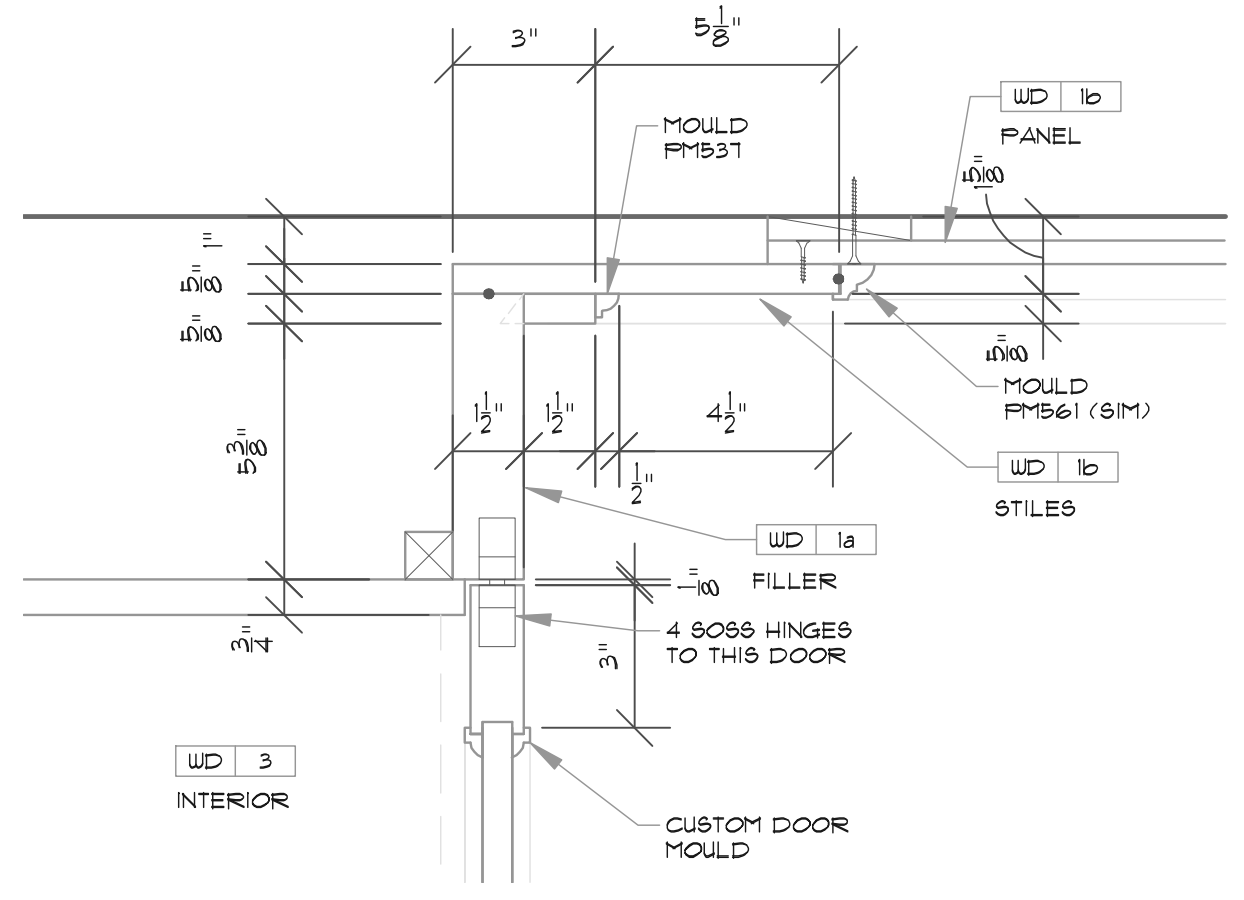
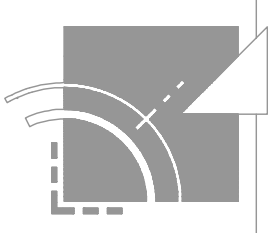


PLAN SECTION RM.A210 SCALE: 3"=1" 06



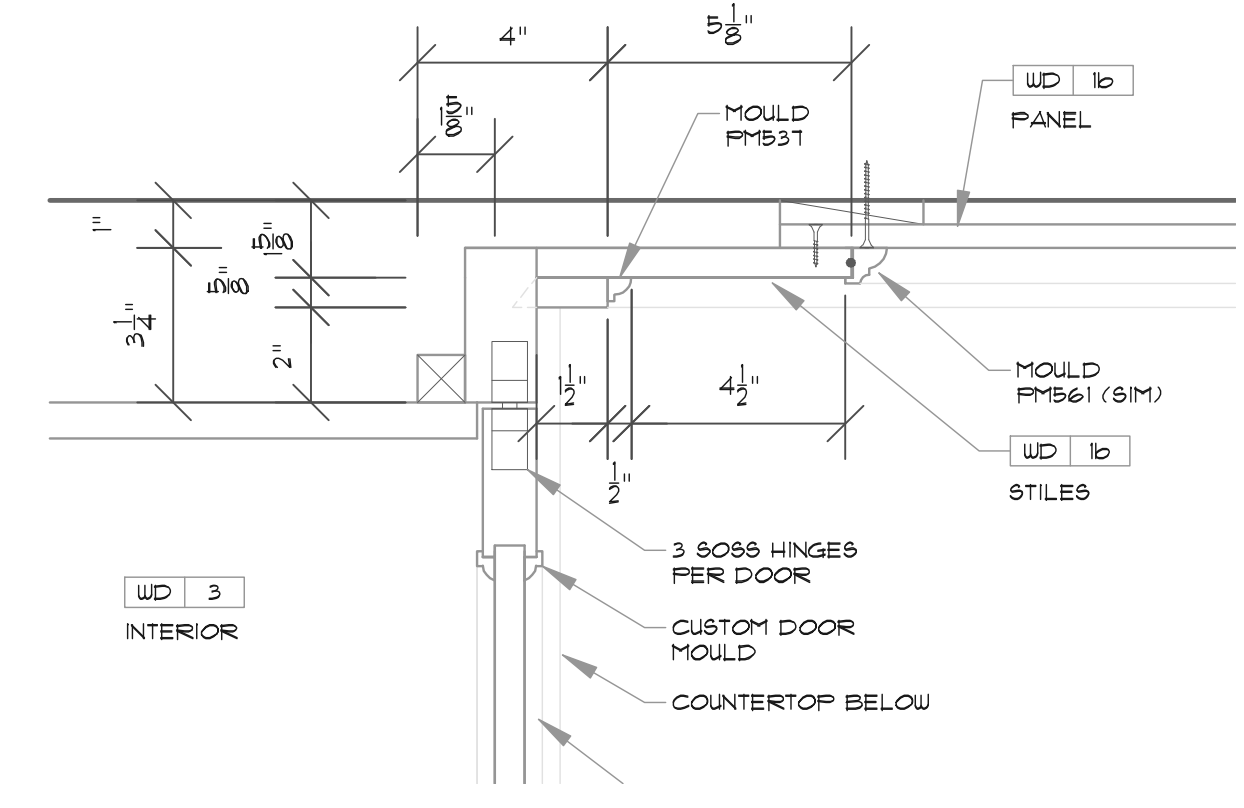
PLAN SECTION RM.A210 SCALE: 3"=1" 07

- WD-1a PLAIN SAUN CHERRY FINISH PER APPROVED SAMPLE
- WD-1b PLAIN SLICED CHERRY FINISH PER APPROVED SAMPLE
- WD-2a QUARTER SAUN CHERRY FINISH PER APPROVED SAMPLE
- WD-2b QUARTER SLICED CHERRY FINISH PER APPROVED SAMPLE
- WD-3 MAPLE VENEER STAINED TO MATCH WD-1



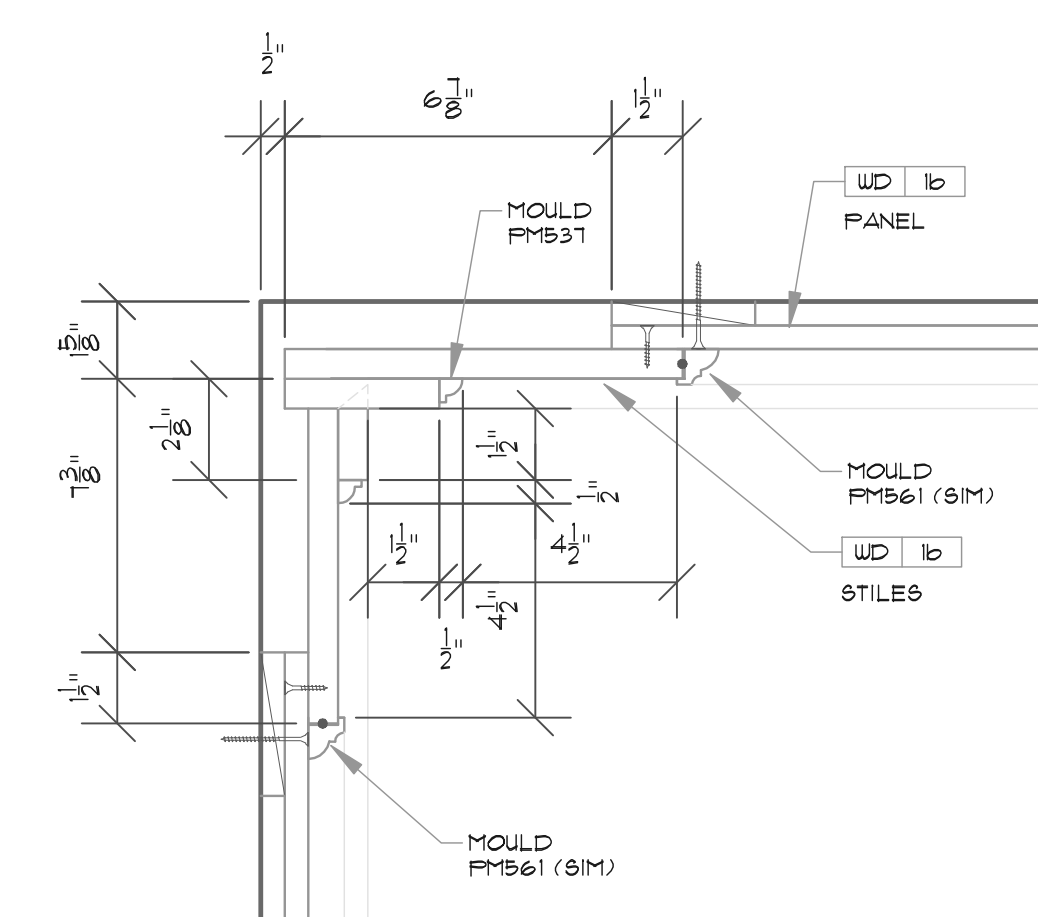
PLAN SECTION RM.A210

SCALE: 3"=1' O1



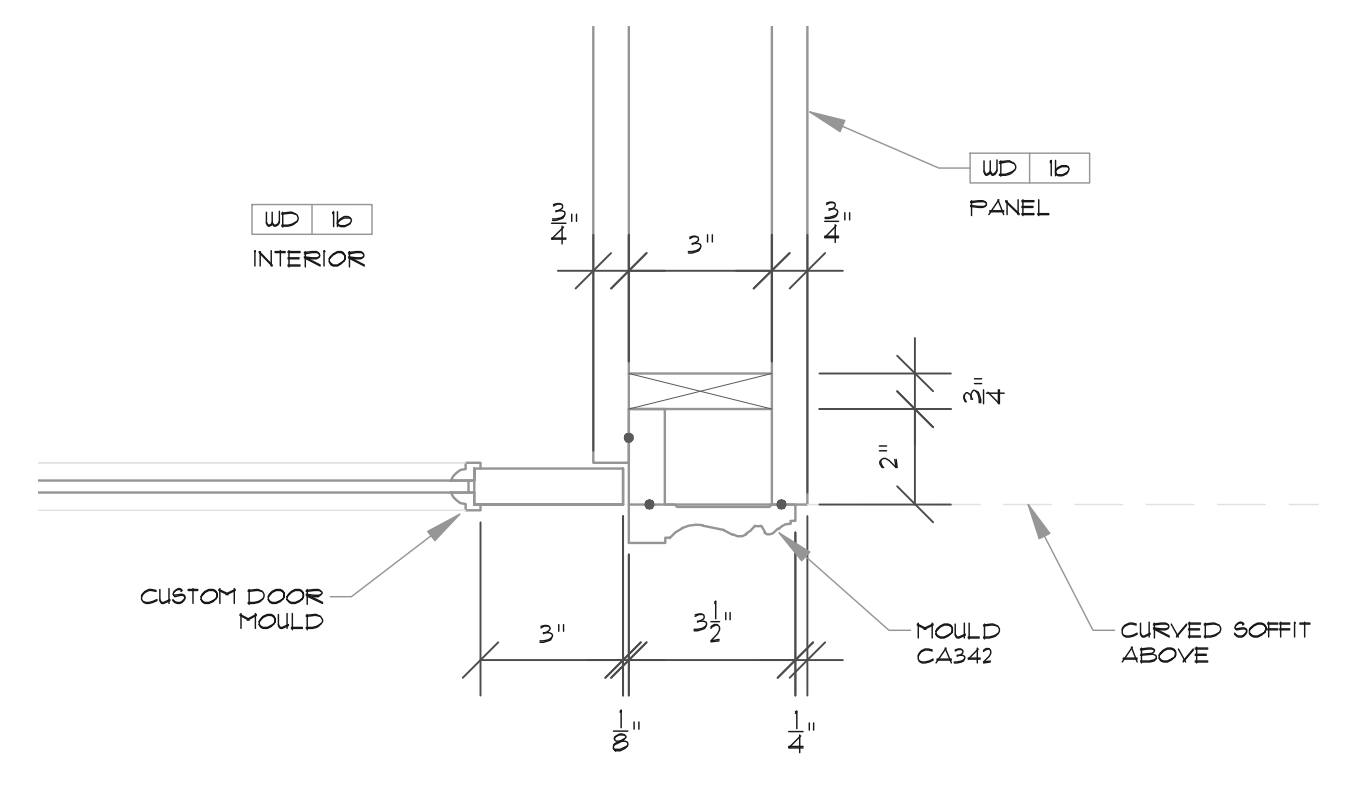
PLAN SECTION RM.A212

SCALE: 3"=1' O2



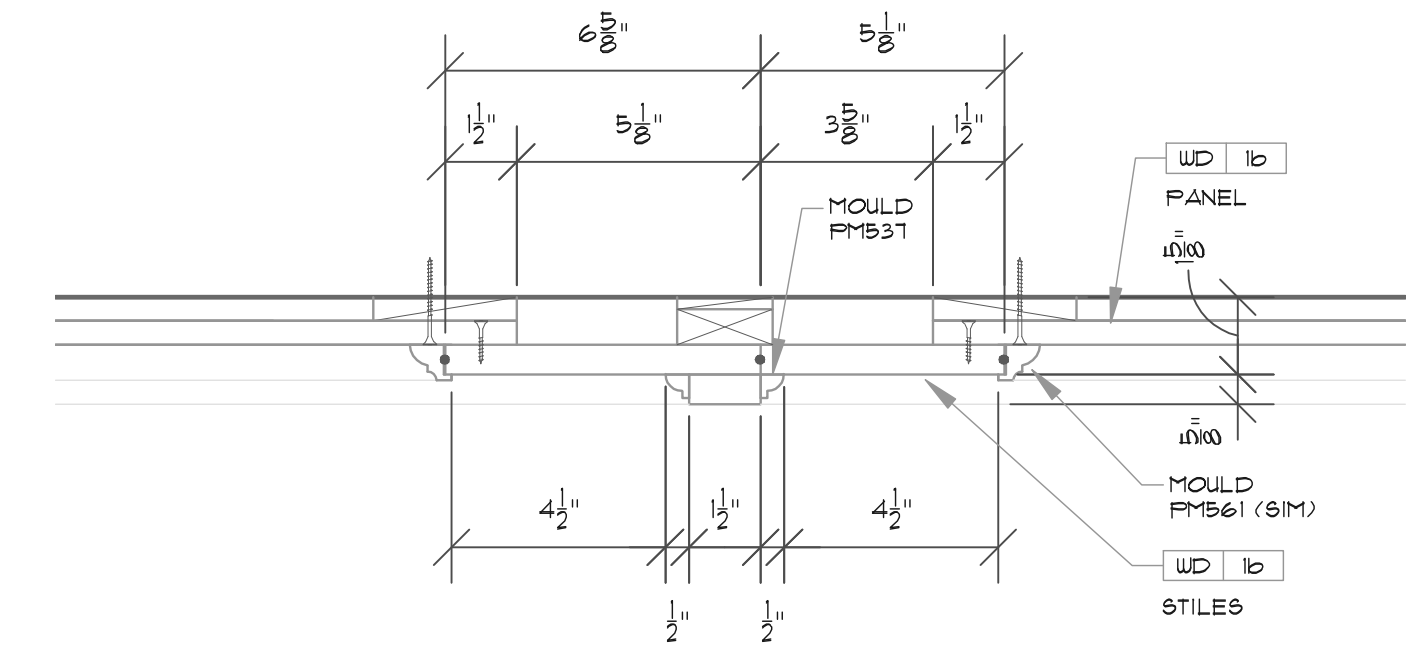
PLAN SECTION RM.A210 & A212

SCALE: 3"=1' O3



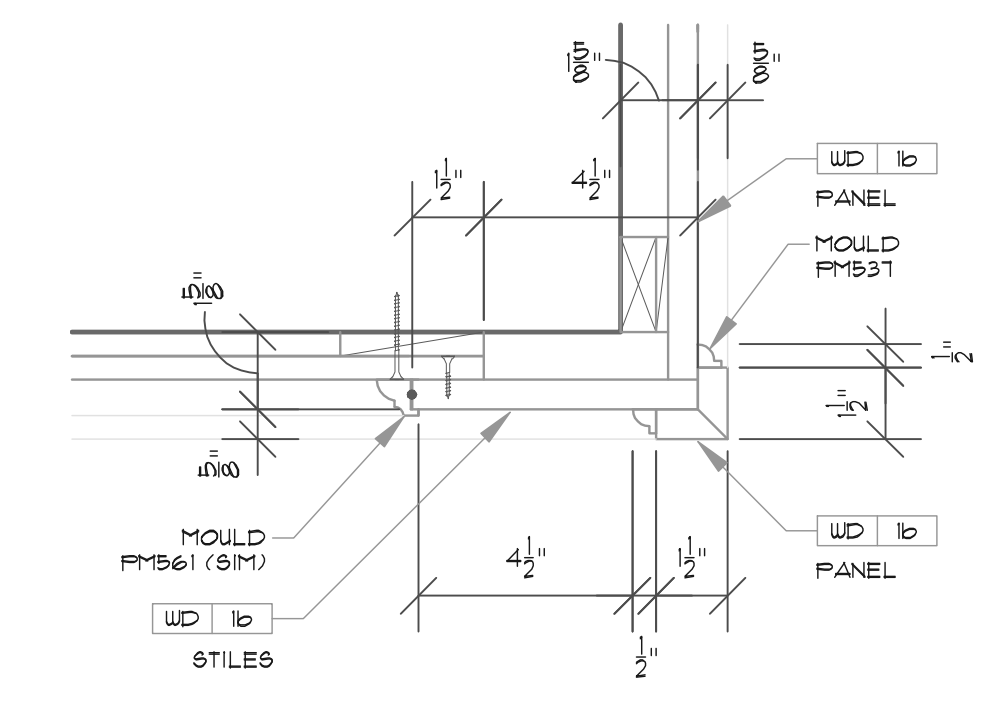
PLAN SECTION RM.A210

SCALE: 3"=1' O4



PLAN SECTION RM.A210 & A212

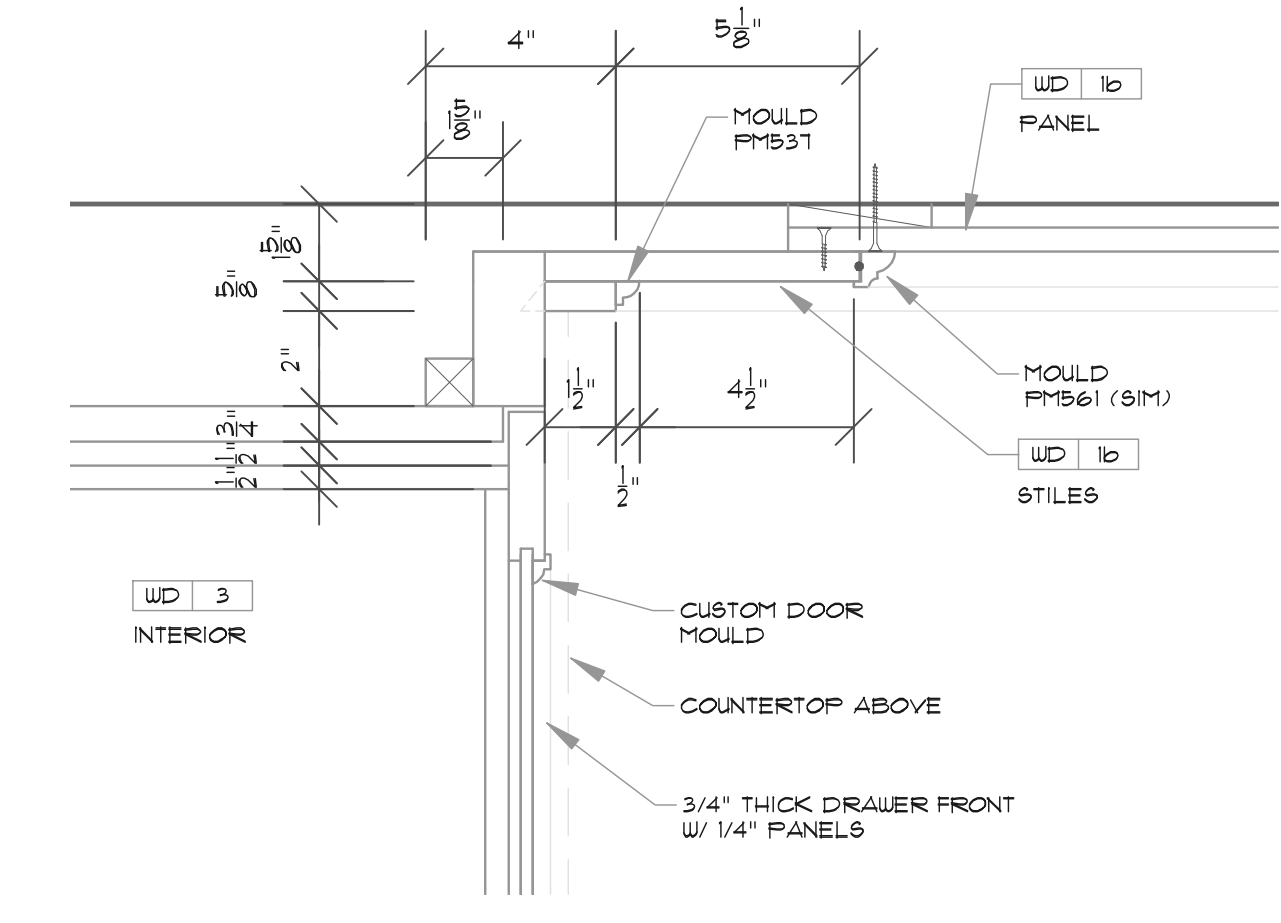
SCALE: 3"=1' O5



PLAN SECTION RM.A210

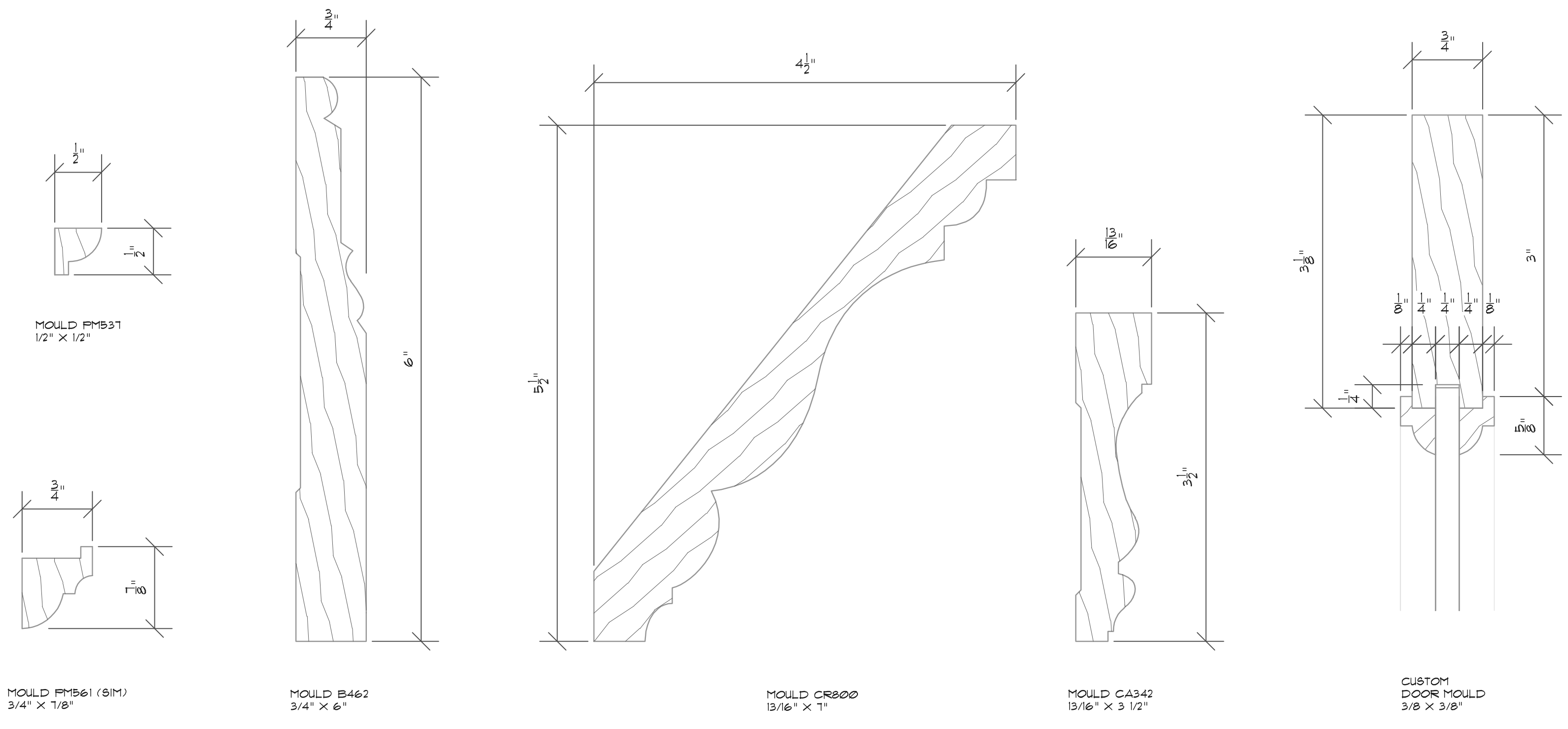
SCALE: 3"=1' O6

- WD-1a PLAIN SAUN CHERRY FINISH PER APPROVED SAMPLE
- WD-1b PLAIN SLICED CHERRY FINISH PER APPROVED SAMPLE
- WD-2a QUARTER SAUN CHERRY FINISH PER APPROVED SAMPLE
- WD-2b QUARTER SLICED CHERRY FINISH PER APPROVED SAMPLE
- WD-3 MAPLE VENEER STAINED TO MATCH WD-1



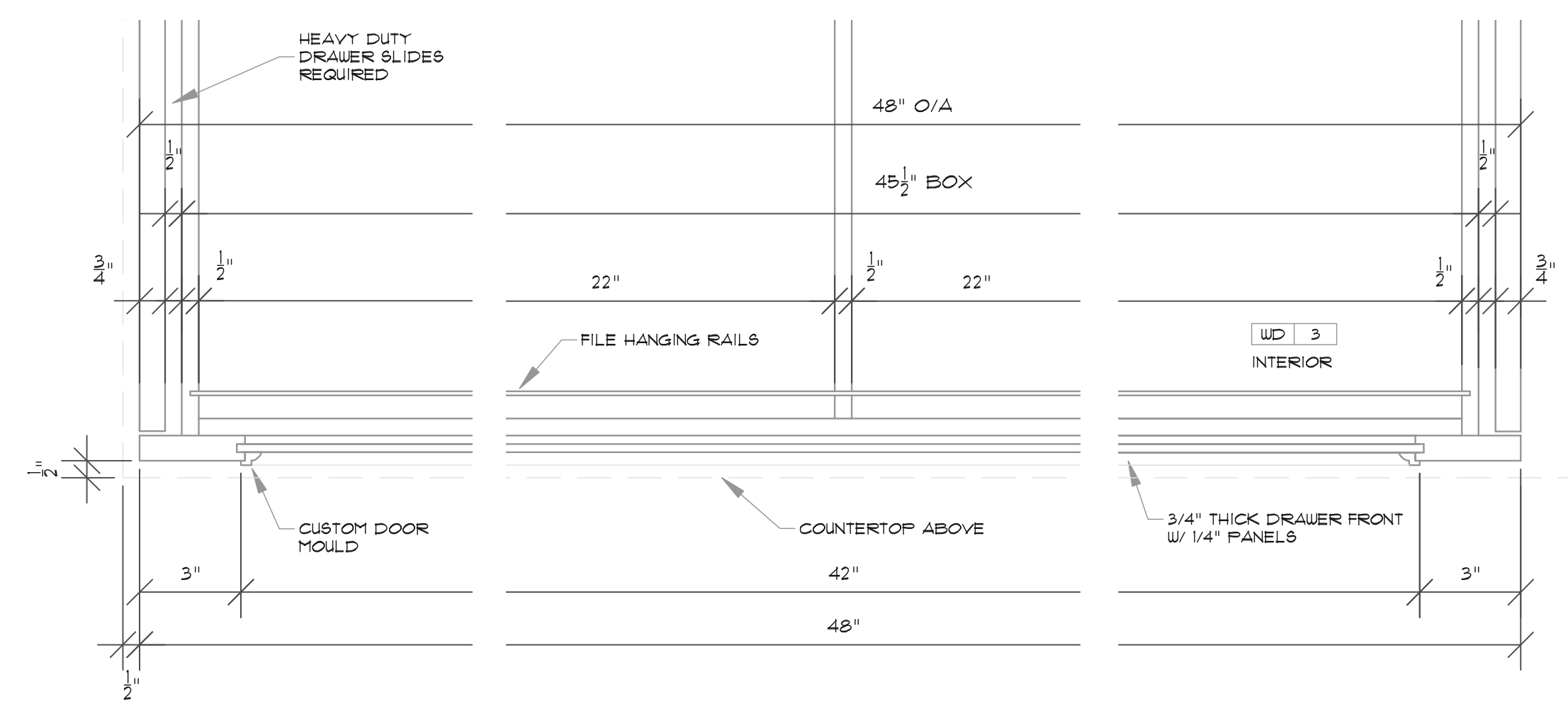
PLAN SECTION RM.A212

SCALE: 3"=1' O8



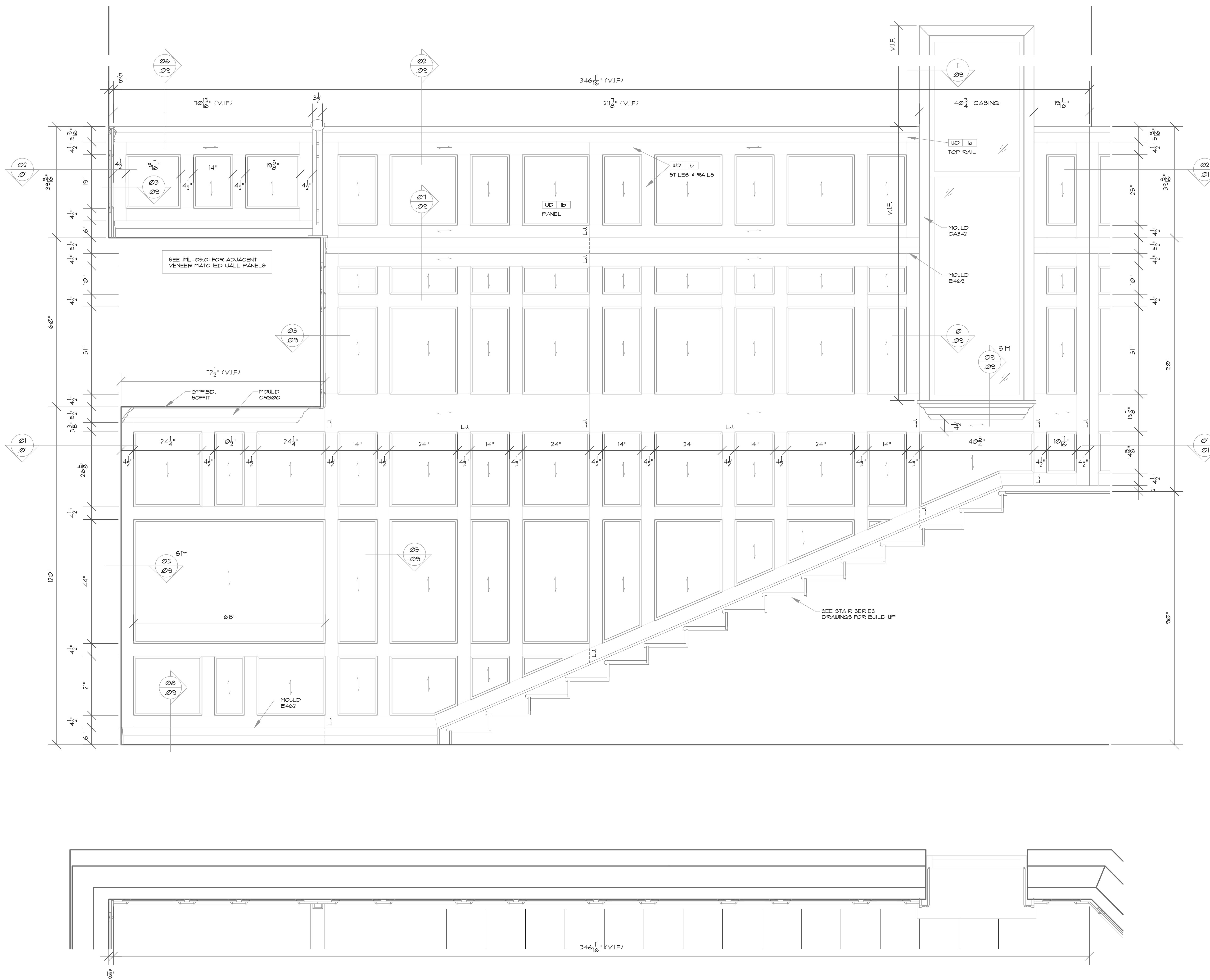
MOULD DETAILS RM.A210 & A212

SCALE: FS O7

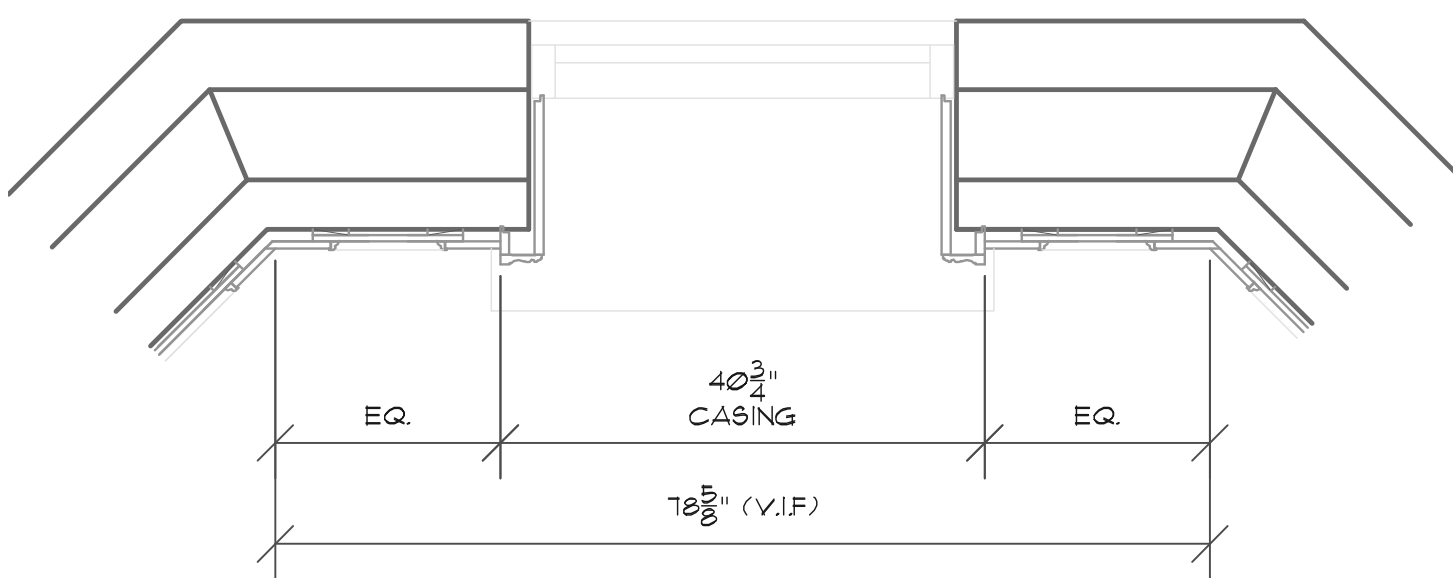
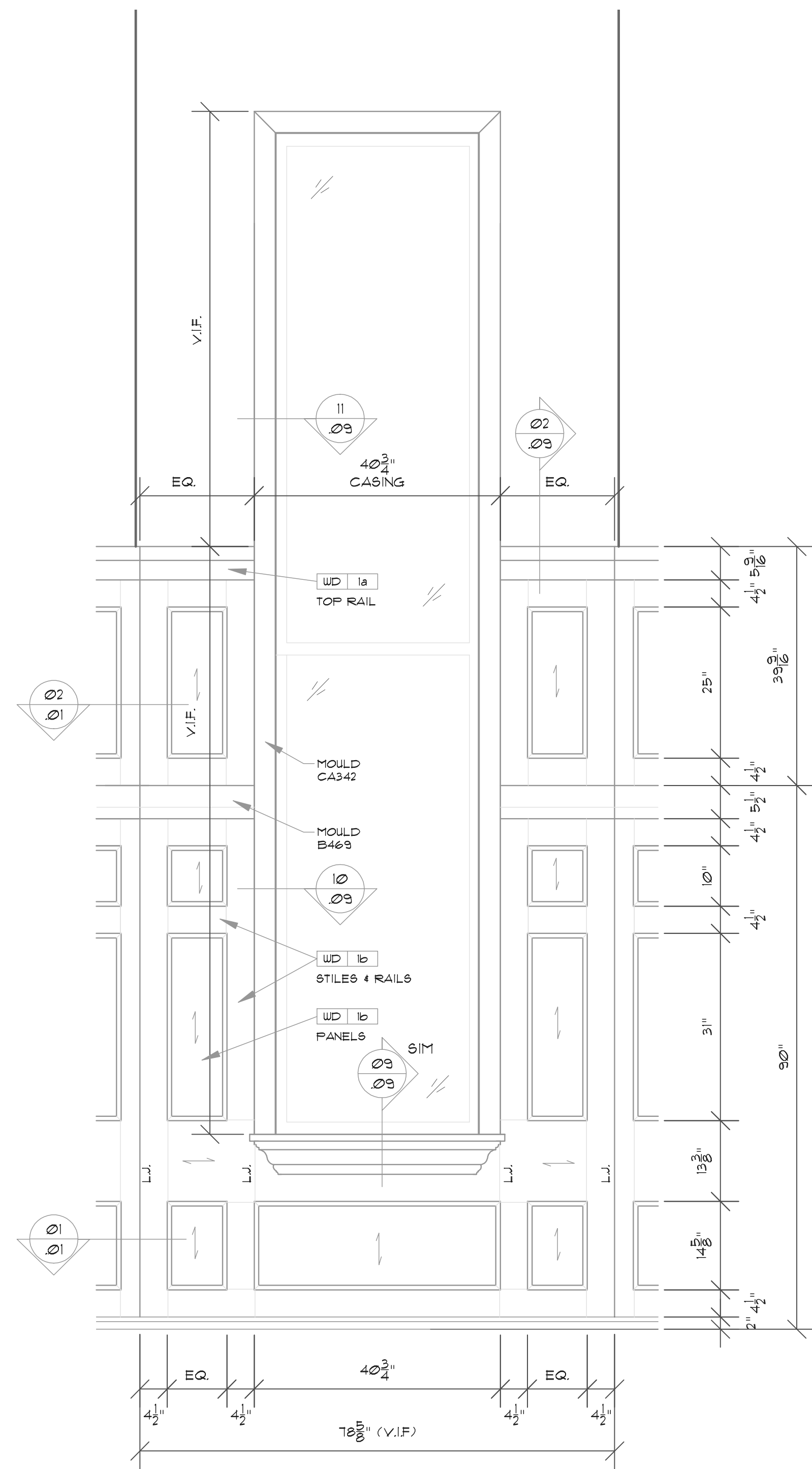


PLAN SECTION RM.A210

SCALE: 3"=1' O9



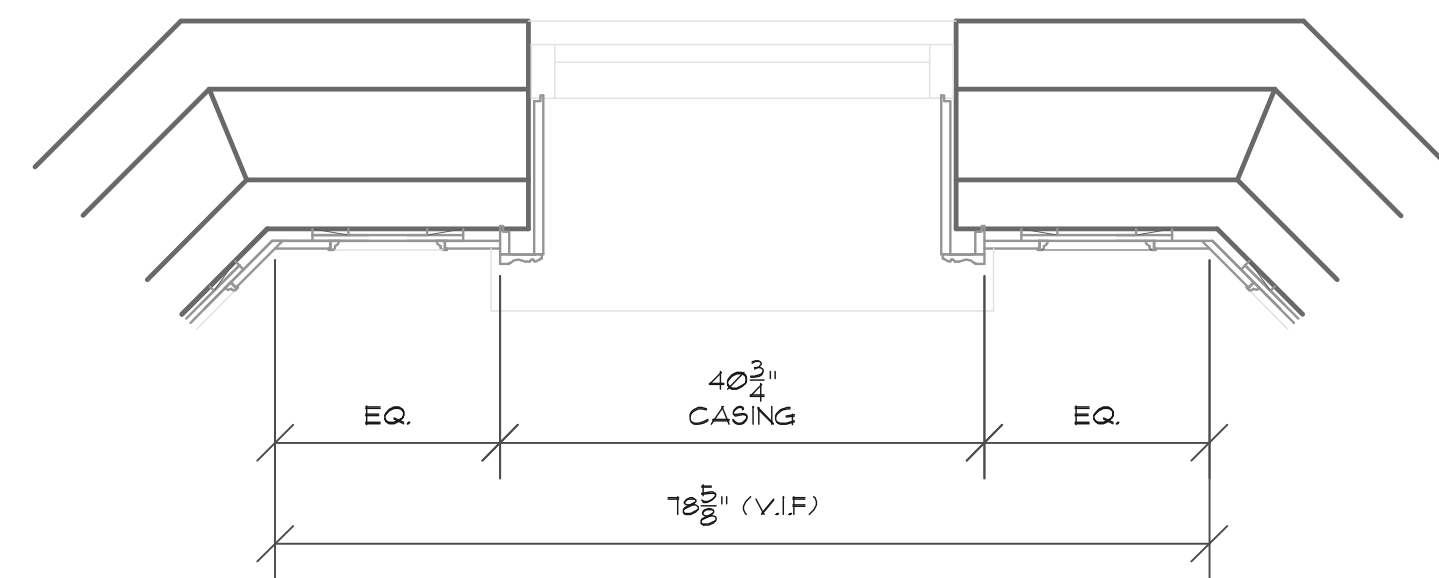
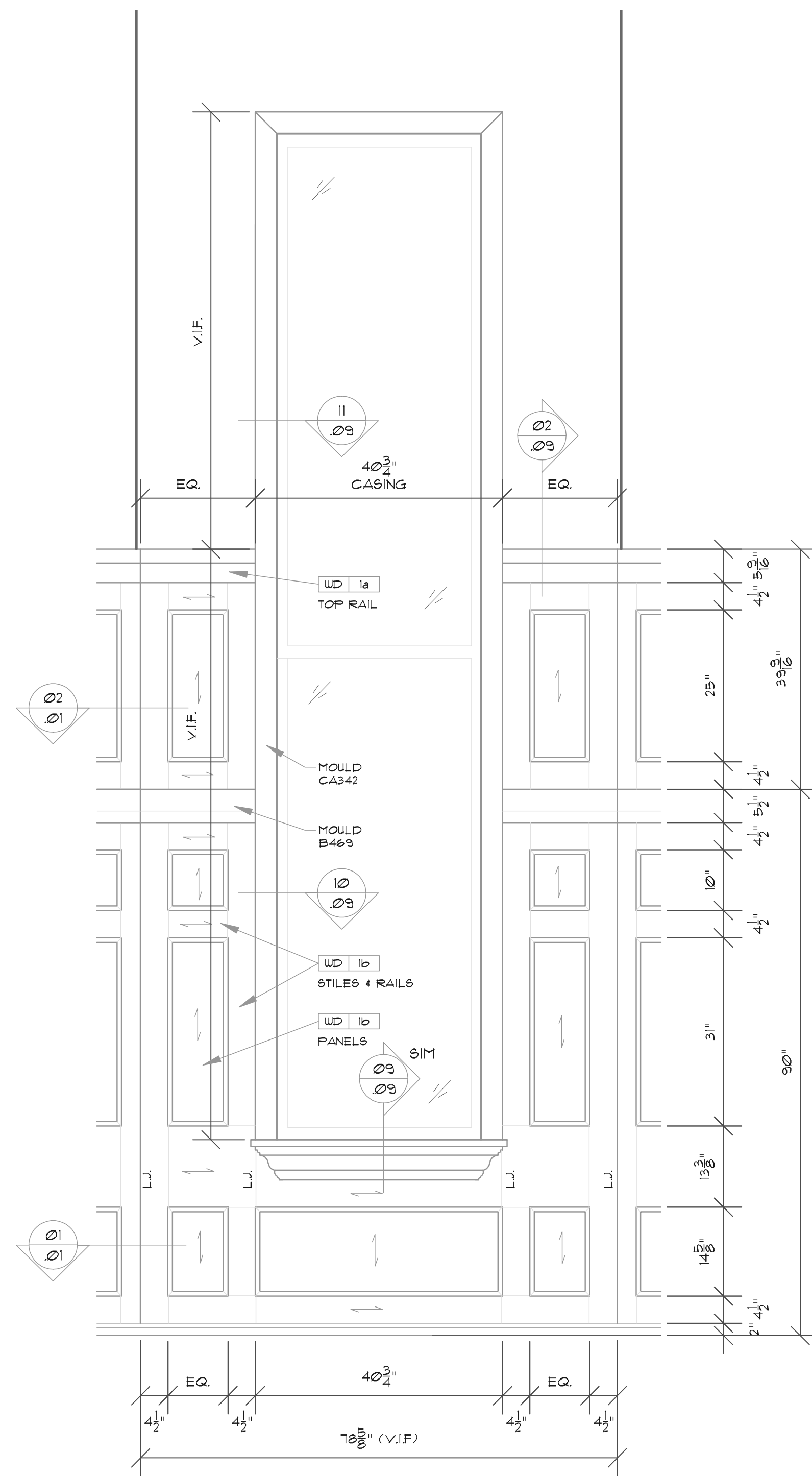
- UD-1a PLAIN SAUN CHERRY FINISH PER APPROVED SAMPLE
- UD-1b PLAIN SLICED CHERRY FINISH PER APPROVED SAMPLE
- UD-2a QUARTER SAUN CHERRY FINISH PER APPROVED SAMPLE
- UD-2b QUARTER SLICED CHERRY FINISH PER APPROVED SAMPLE



PLAN / ELEVATION RM. A101

REF: 5/A5-01

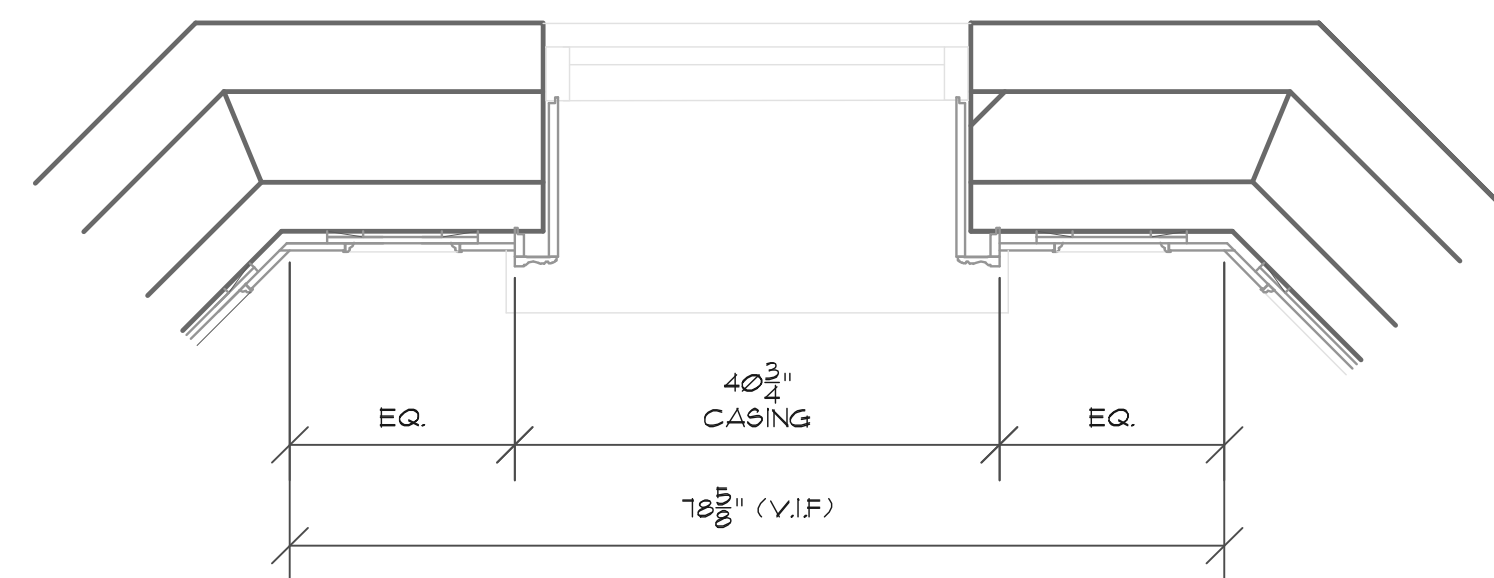
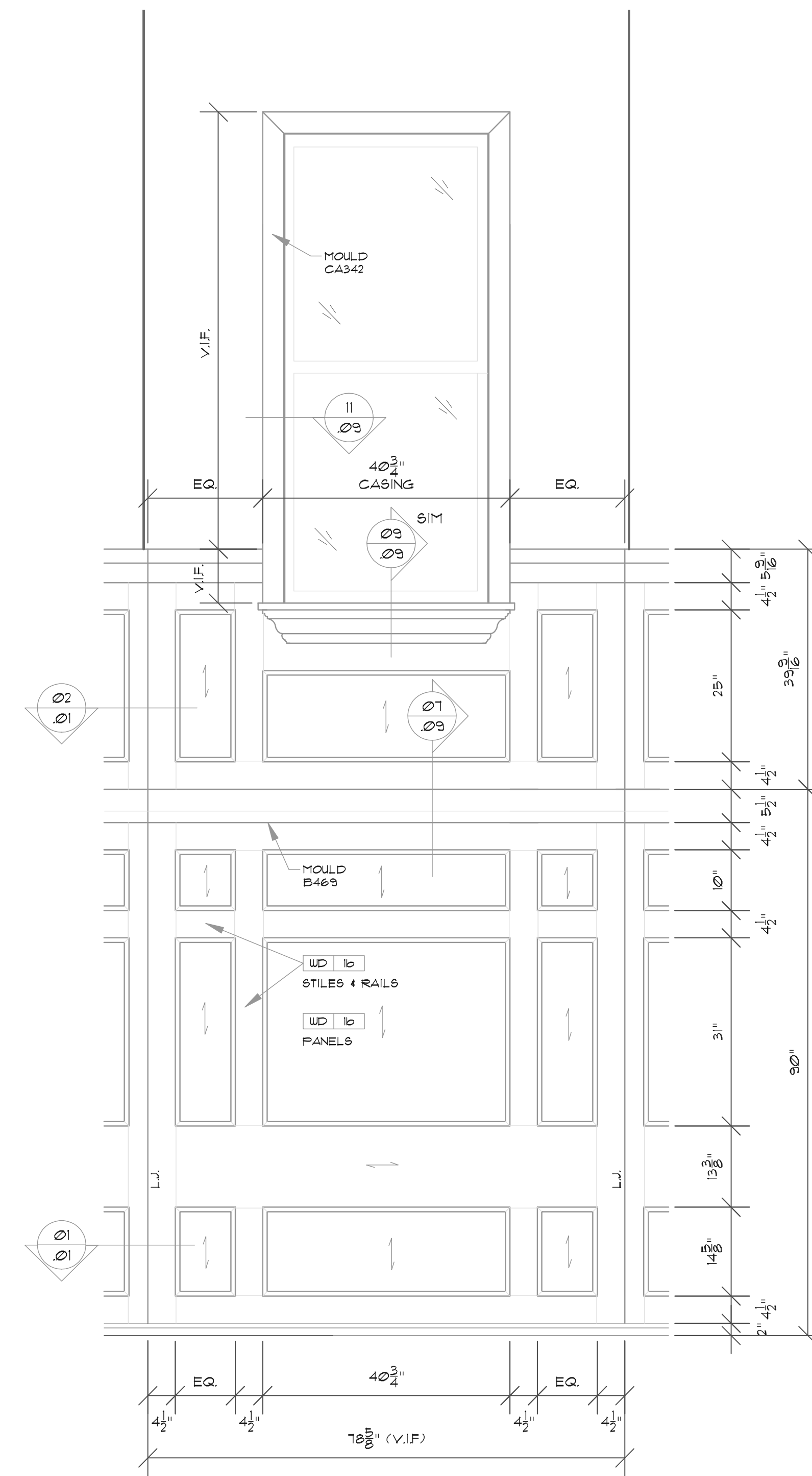
SCALE: 3/4"=1' 01



PLAN / ELEVATION RM. A101

REF: 5/A5-01

SCALE: 3/4"=1' 02

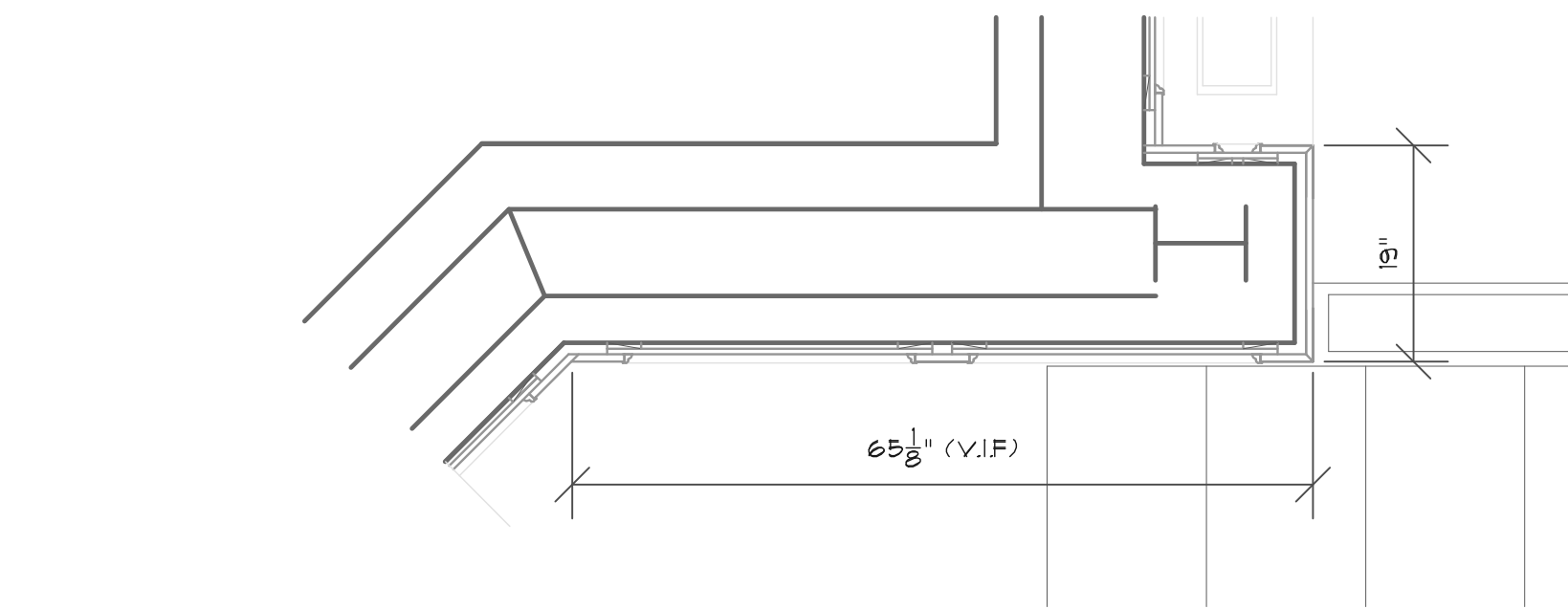
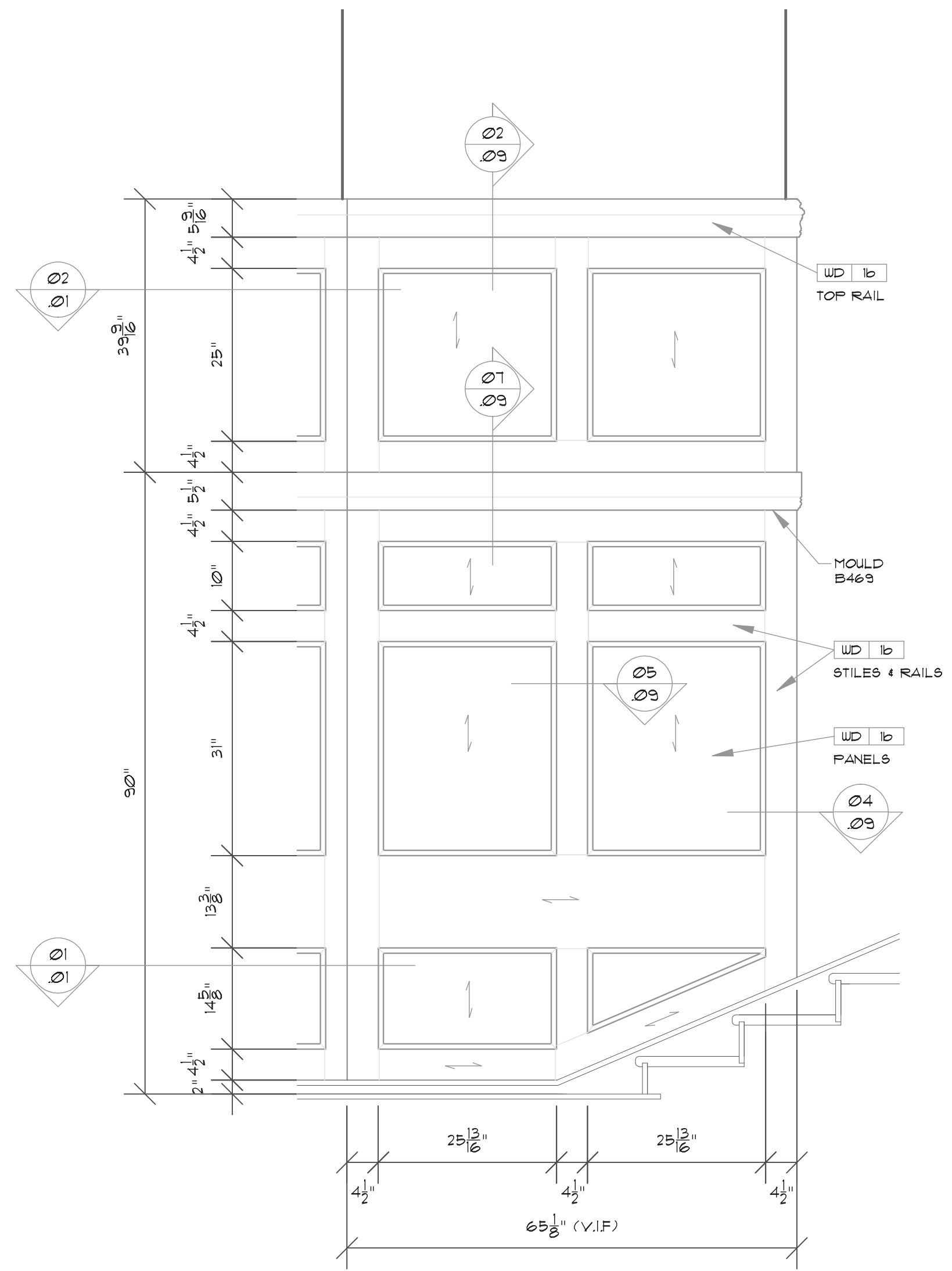


PLAN / ELEVATION RM. A101

REF: 5/A5-01

SCALE: 3/4"=1' 03

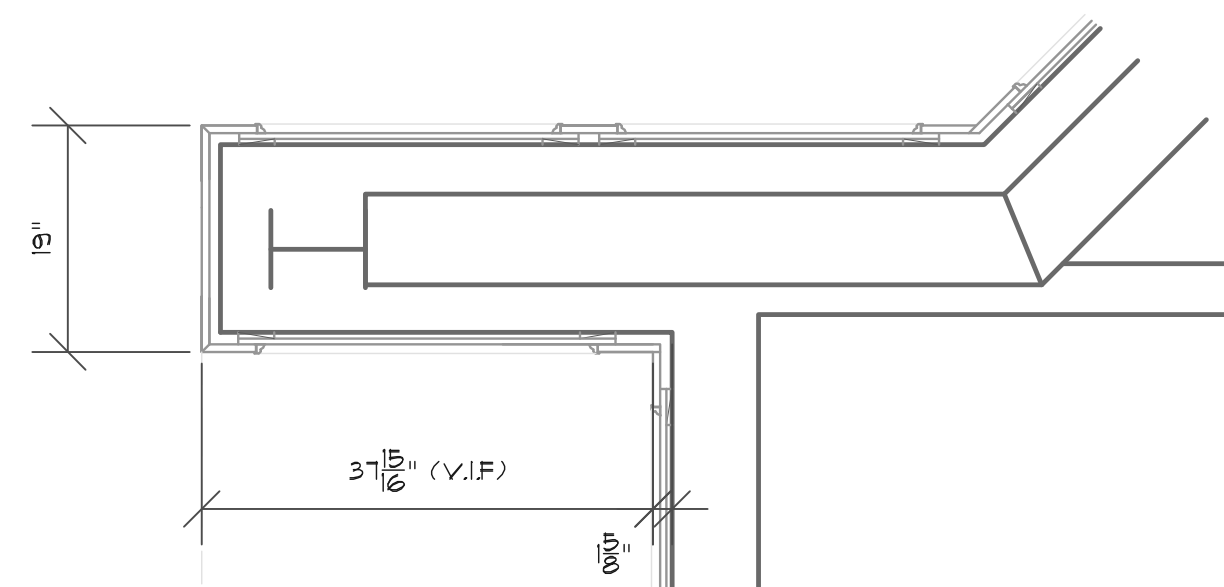
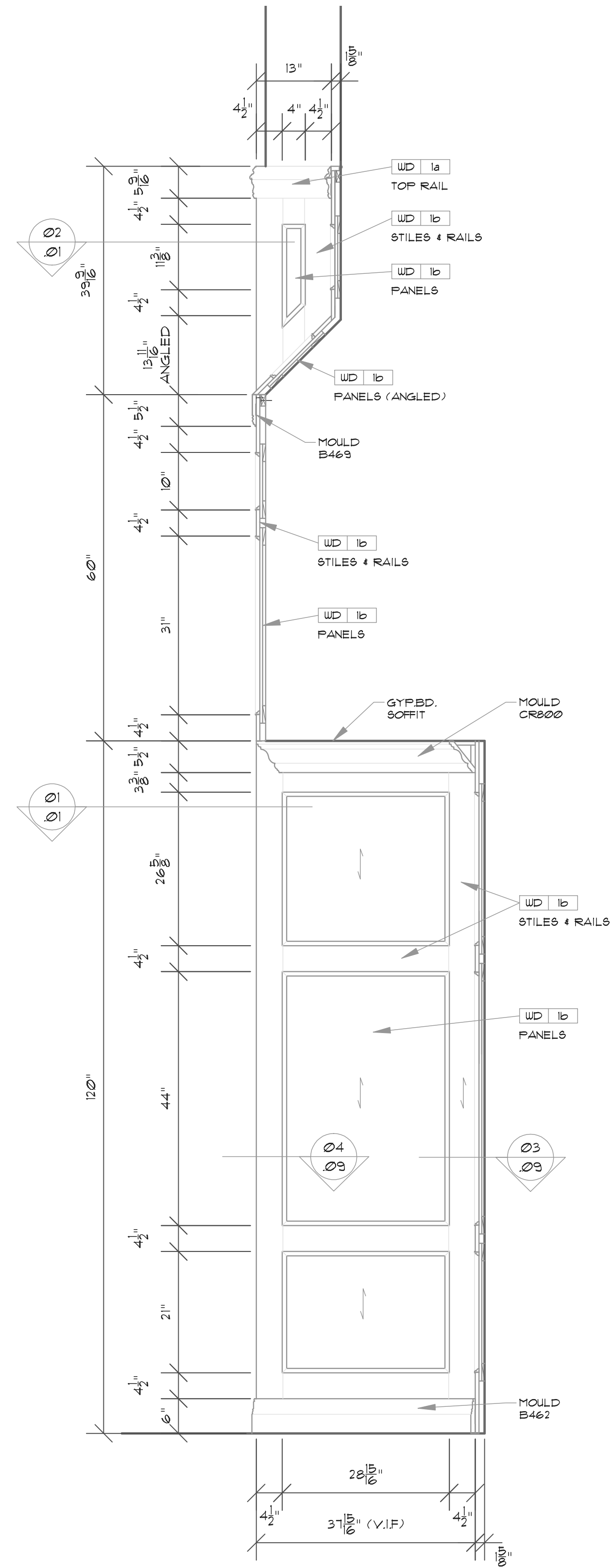
- UD-1a PLAIN SAWN CHERRY FINISH PER APPROVED SAMPLE
- UD-1b PLAIN SLICED CHERRY FINISH PER APPROVED SAMPLE
- UD-2a QUARTER SAWN CHERRY FINISH PER APPROVED SAMPLE
- UD-2b QUARTER SLICED CHERRY FINISH PER APPROVED SAMPLE



PLAN / ELEVATION RM. A101

REF: NONE

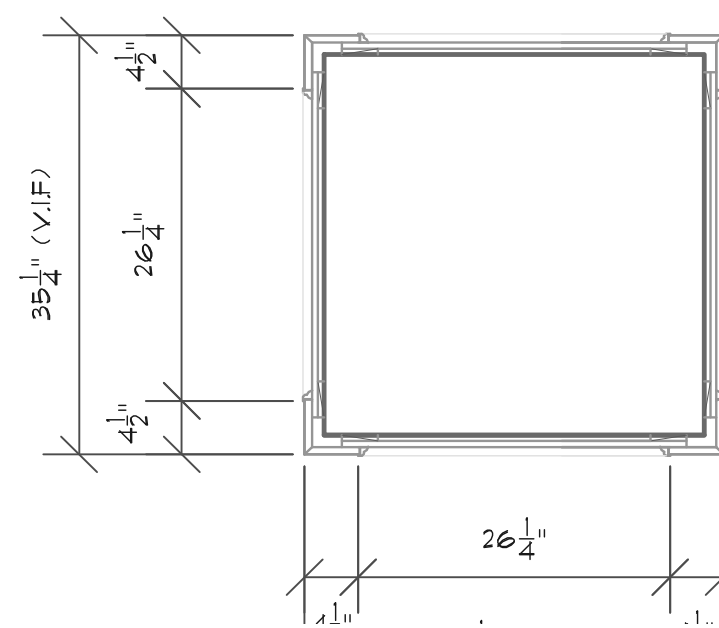
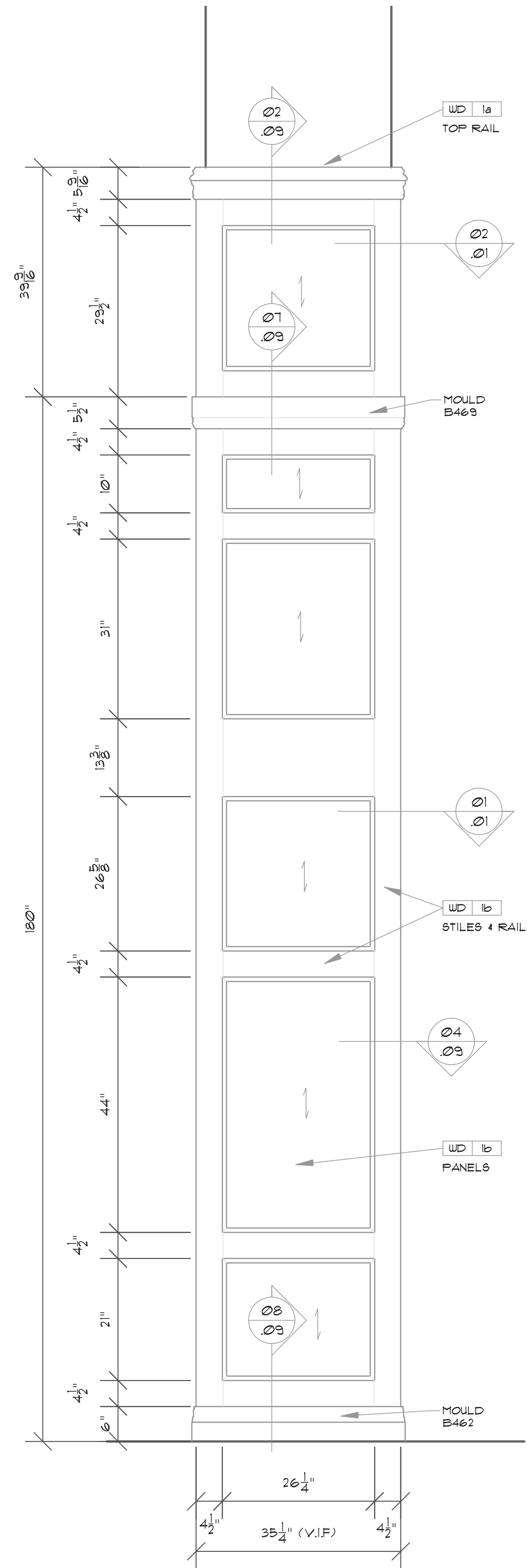
SCALE: 3/4"=1' 01



PLAN / ELEVATION RM. A101

REF: NONE

SCALE: 3/4"=1' 02

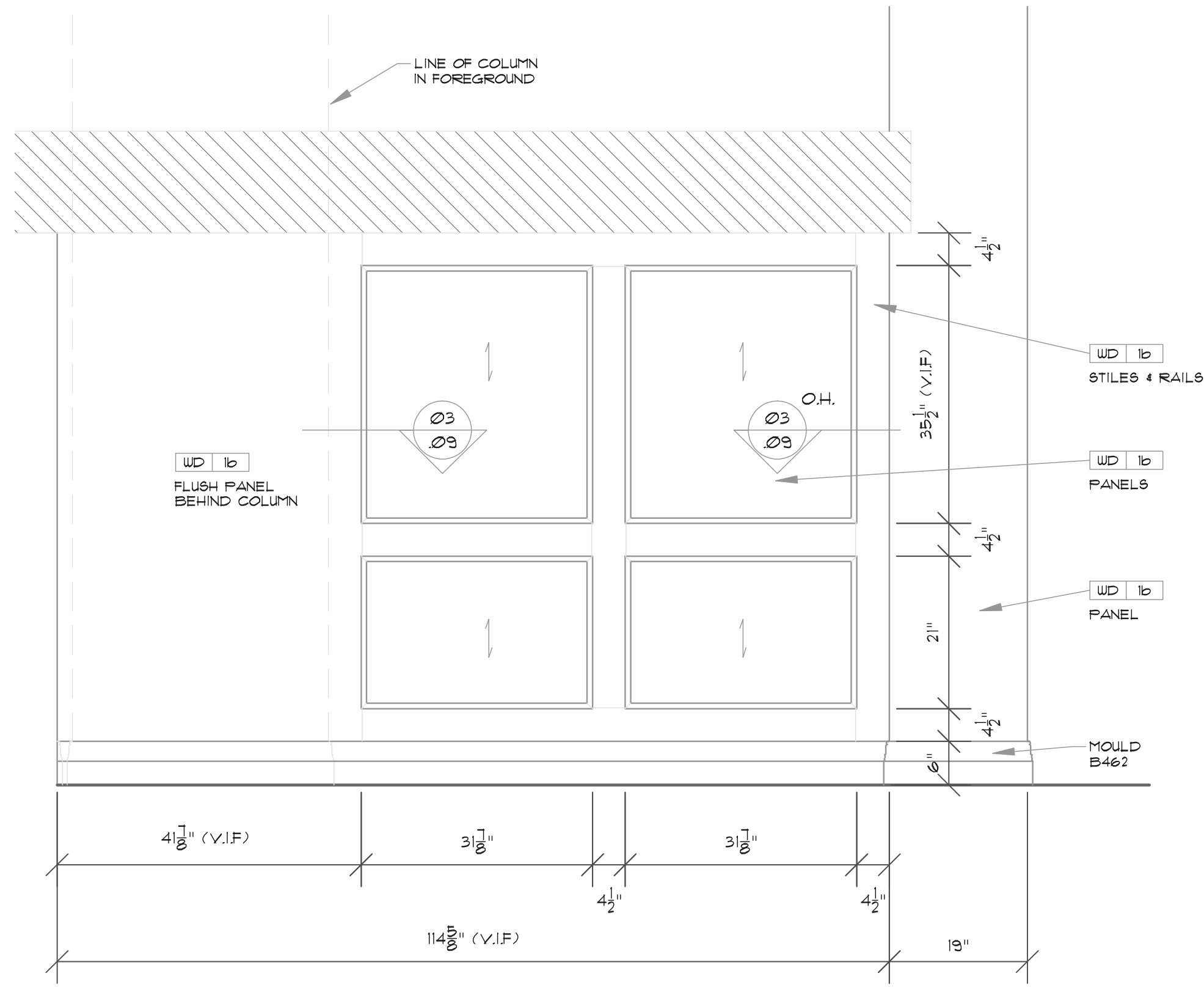


PLAN / ELEVATION RM. A101

REF: 2/A5-02

SCALE: 3/4"=1' 03

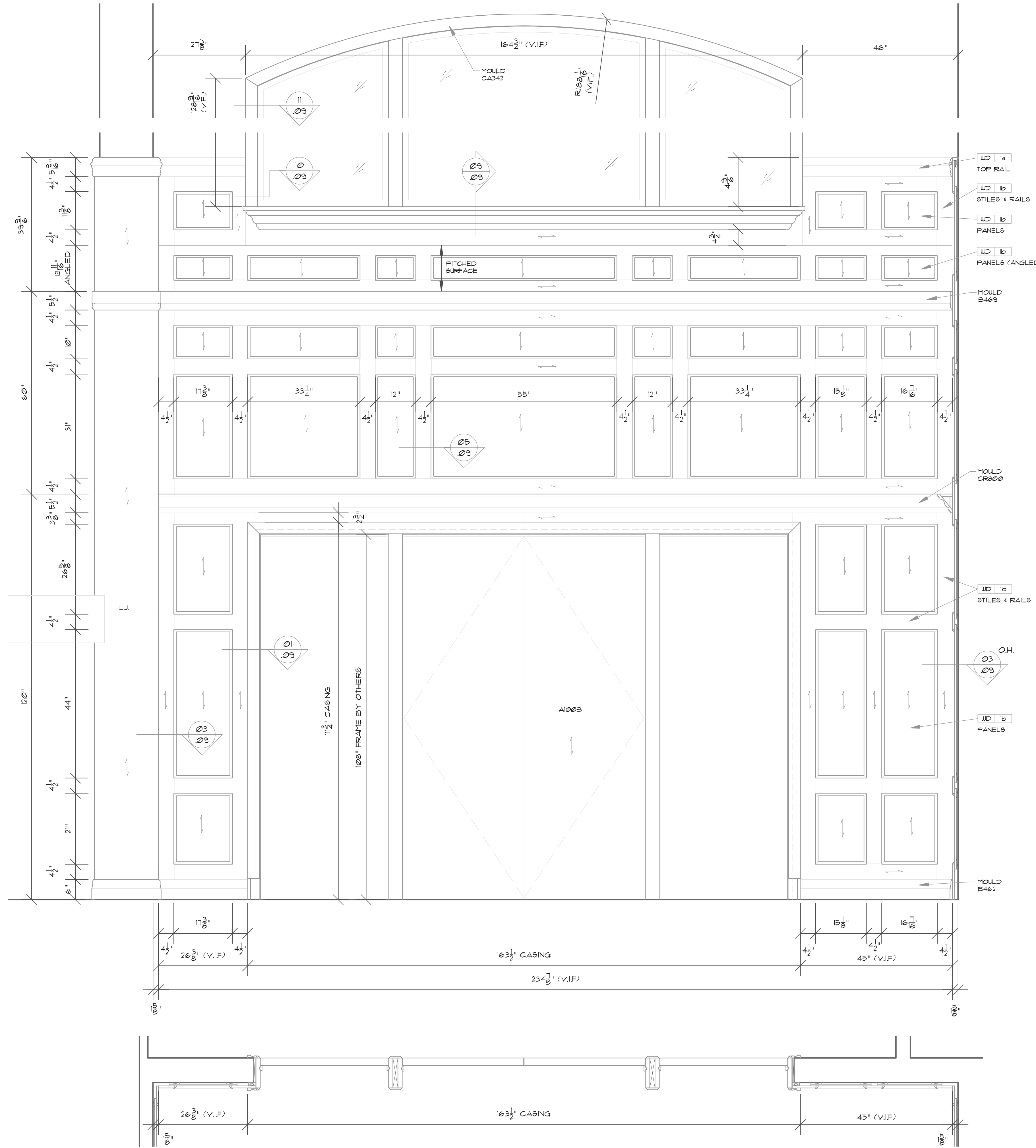
- UD-1a PLAIN SAUN CHERRY FINISH PER APPROVED SAMPLE
- UD-1b PLAIN SLICED CHERRY FINISH PER APPROVED SAMPLE
- UD-2a QUARTER SAUN CHERRY FINISH PER APPROVED SAMPLE
- UD-2b QUARTER SLICED CHERRY FINISH PER APPROVED SAMPLE



PLAN / ELEVATION RM. A101

REF: 5/A5-01

SCALE: 3/4"=1' 01



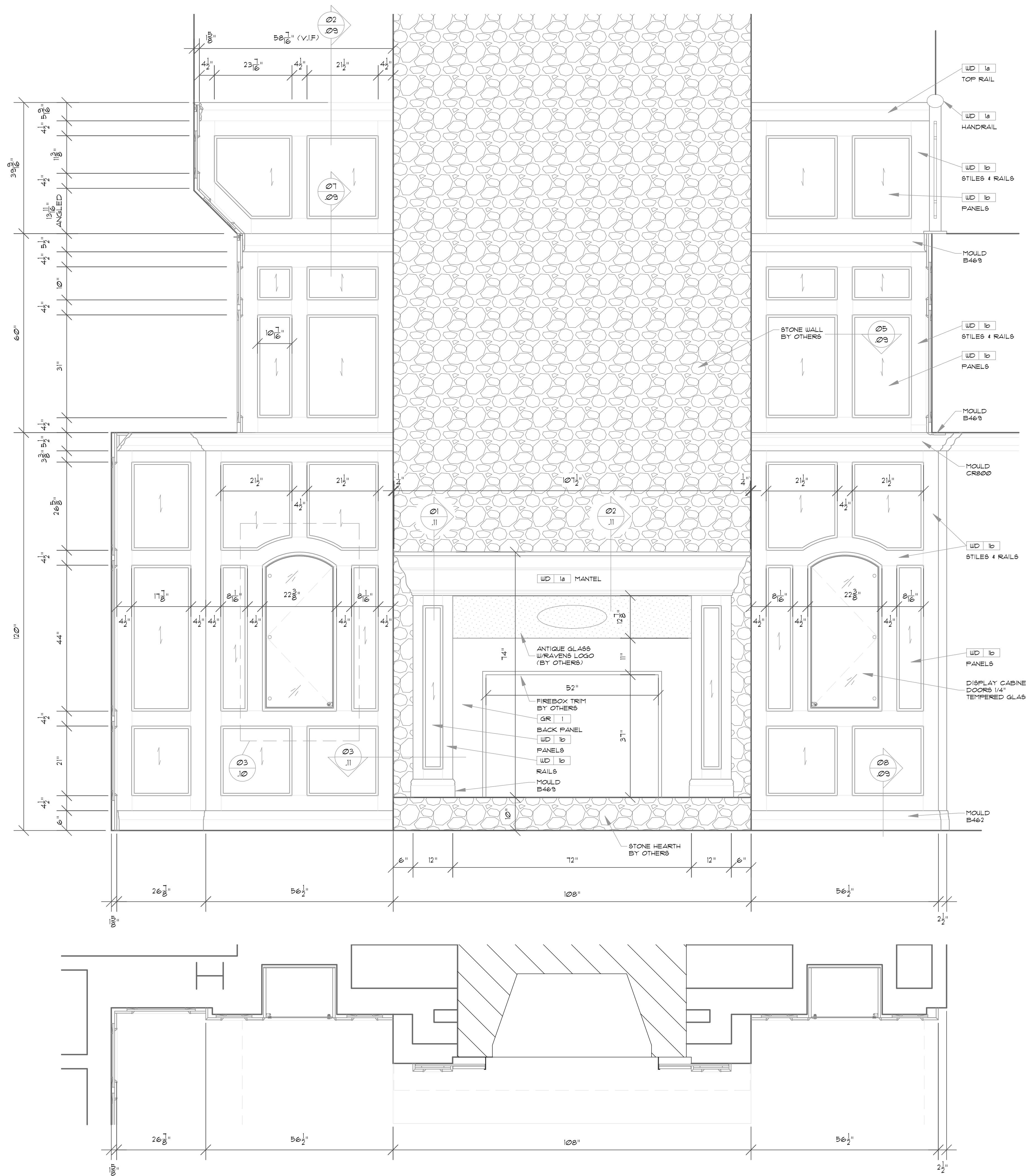
PLAN / ELEVATION RM. A101

REF: 5/A5-01

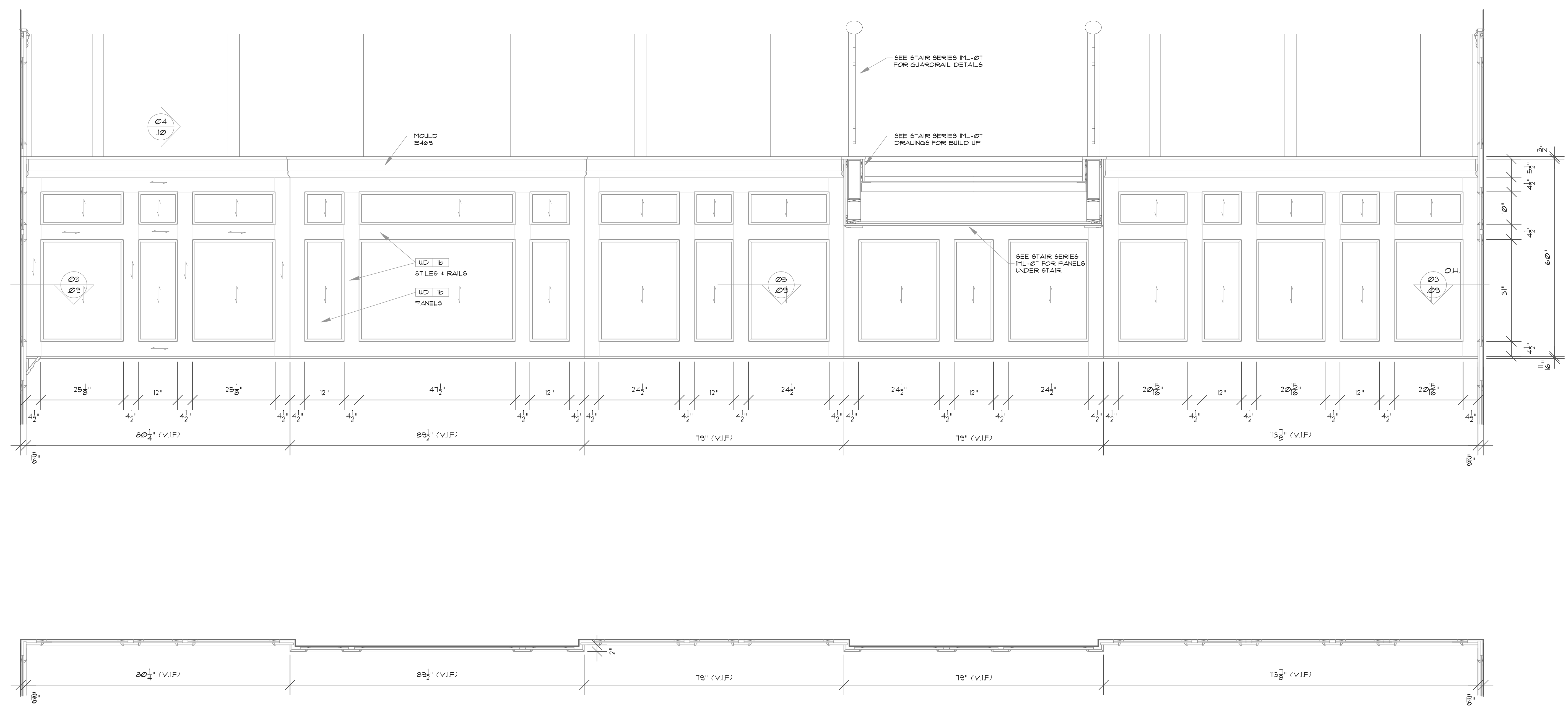
SCALE: 3/4"=1' 02

- WD-1a PLAIN SAUN CHERRY FINISH PER APPROVED SAMPLE
- WD-1b PLAIN SLICED CHERRY FINISH PER APPROVED SAMPLE
- WD-2a QUARTER SAUN CHERRY FINISH PER APPROVED SAMPLE
- WD-2b QUARTER SLICED CHERRY FINISH PER APPROVED SAMPLE

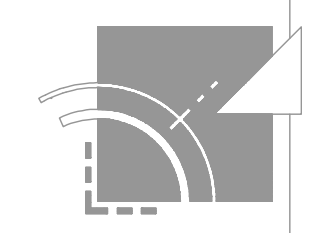


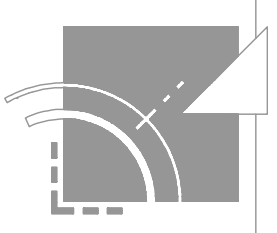
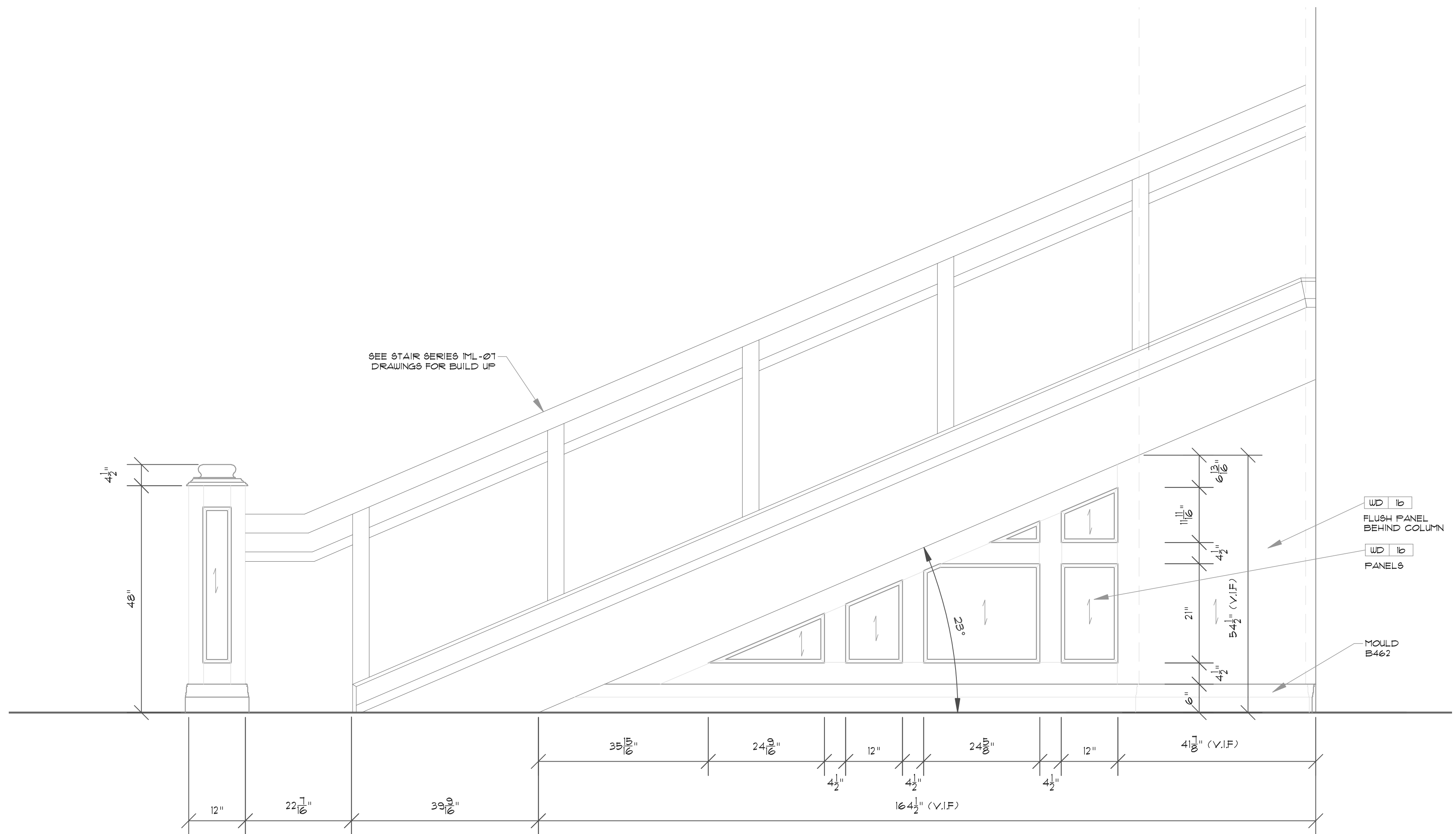


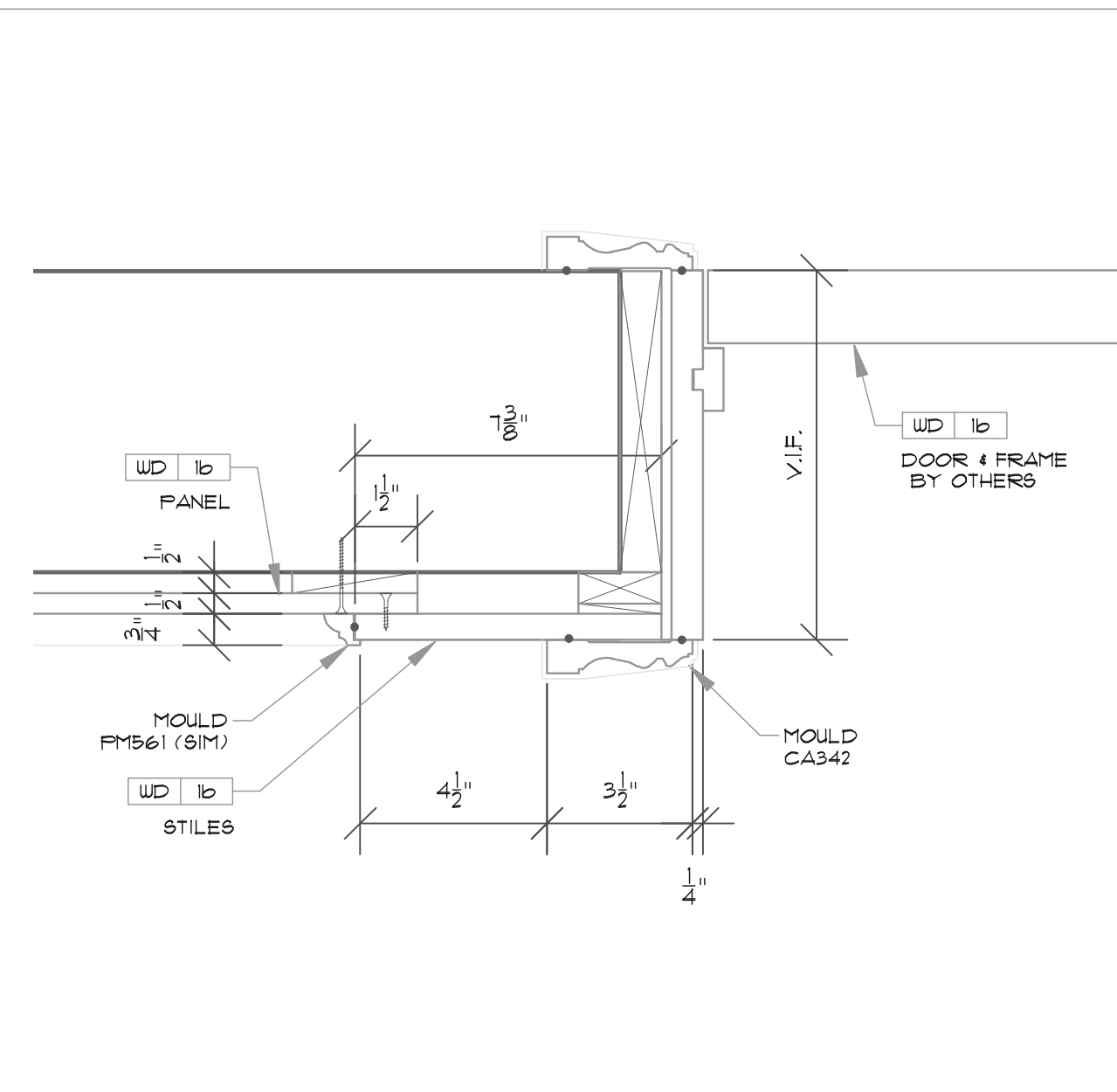
- UD-1a PLAIN SAUN CHERRY FINISH PER APPROVED SAMPLE
- UD-1b PLAIN SLICED CHERRY FINISH PER APPROVED SAMPLE
- UD-2a QUARTER SAUN CHERRY FINISH PER APPROVED SAMPLE
- UD-2b QUARTER SLICED CHERRY FINISH PER APPROVED SAMPLE



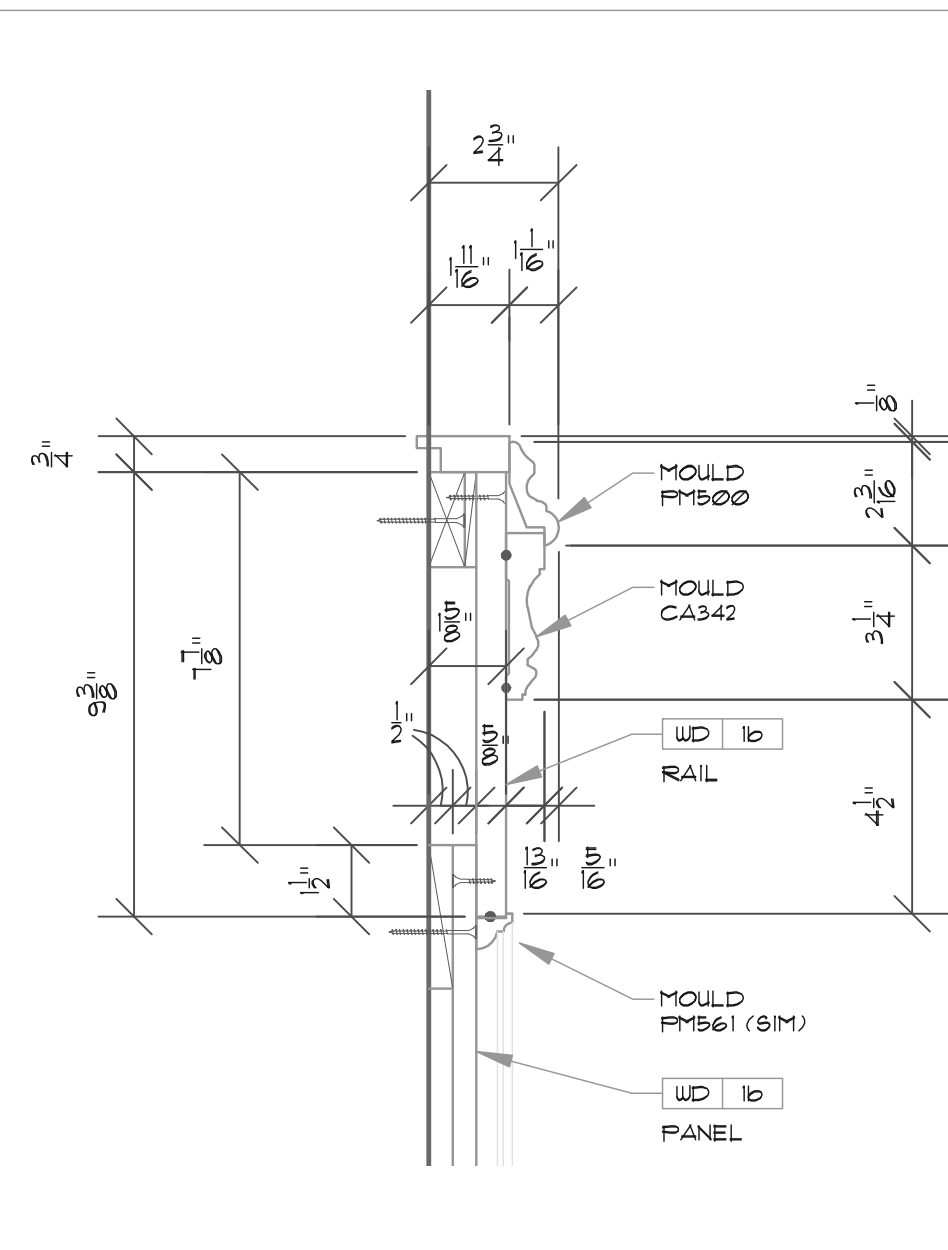
- UD-1a PLAIN SAWN CHERRY FINISH PER APPROVED SAMPLE
- UD-1b PLAIN SLICED CHERRY FINISH PER APPROVED SAMPLE
- UD-2a QUARTER SAWN CHERRY FINISH PER APPROVED SAMPLE
- UD-2b QUARTER SLICED CHERRY FINISH PER APPROVED SAMPLE



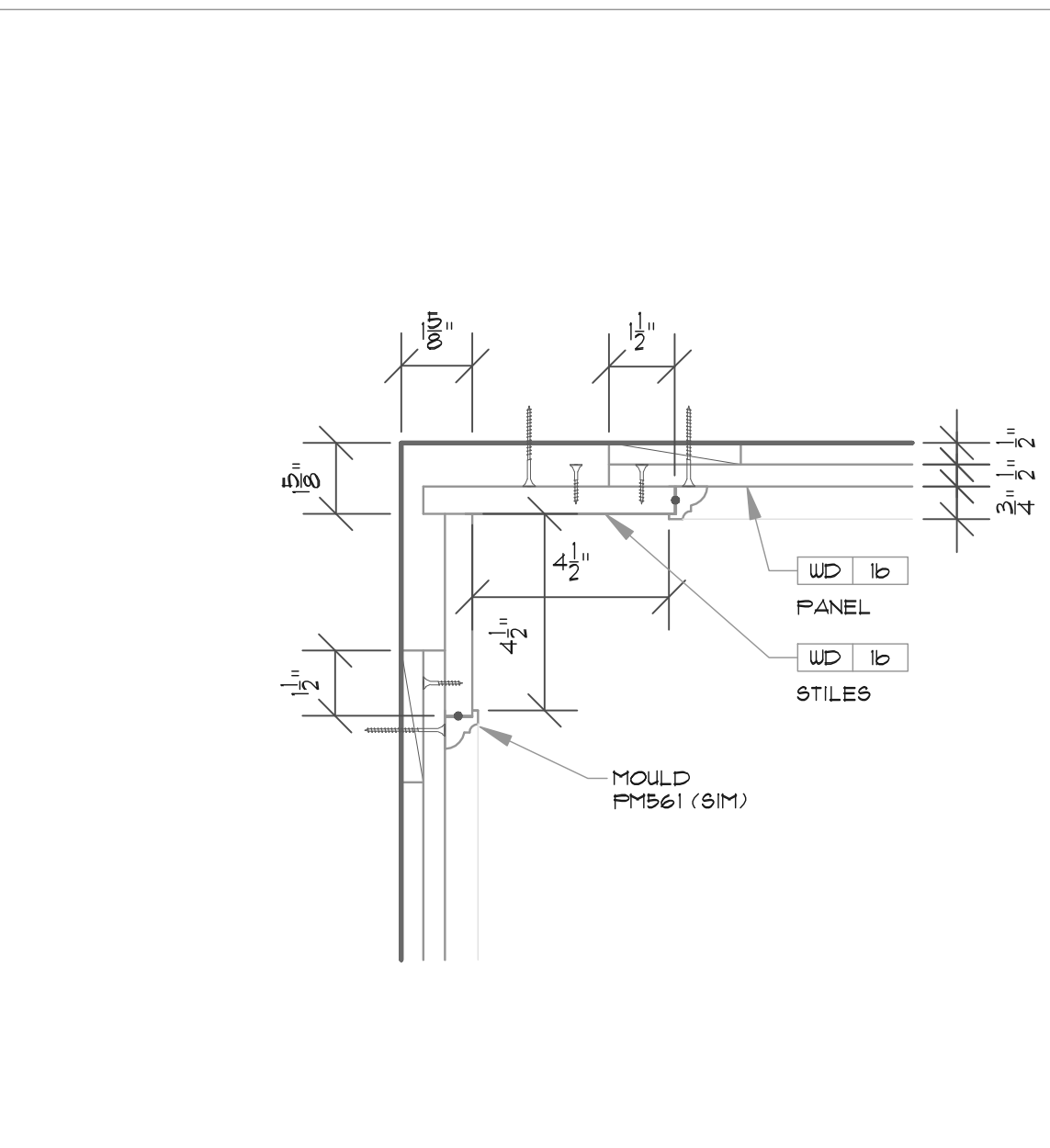




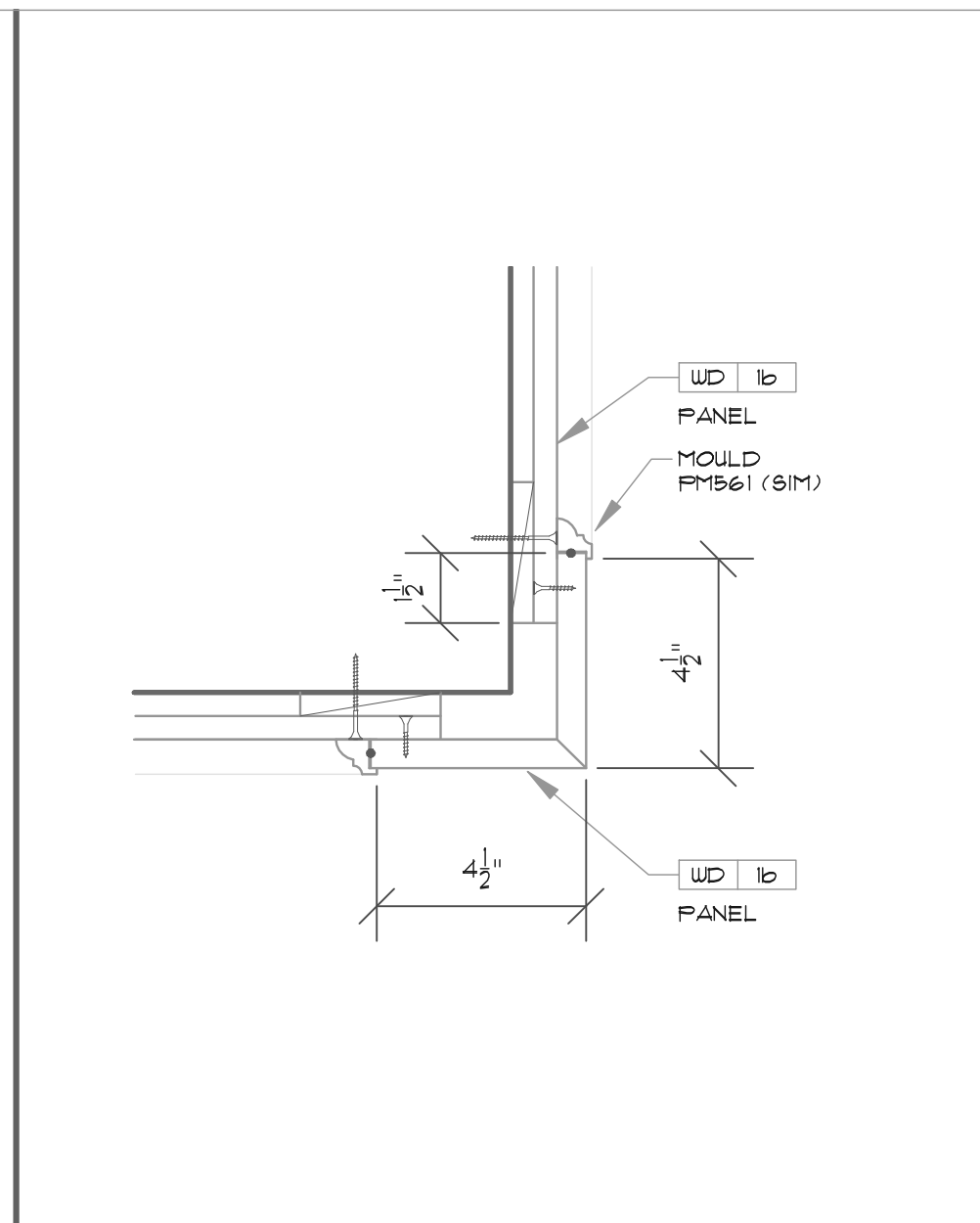
PLAN SECTION SCALE: 3"=1' Ø1



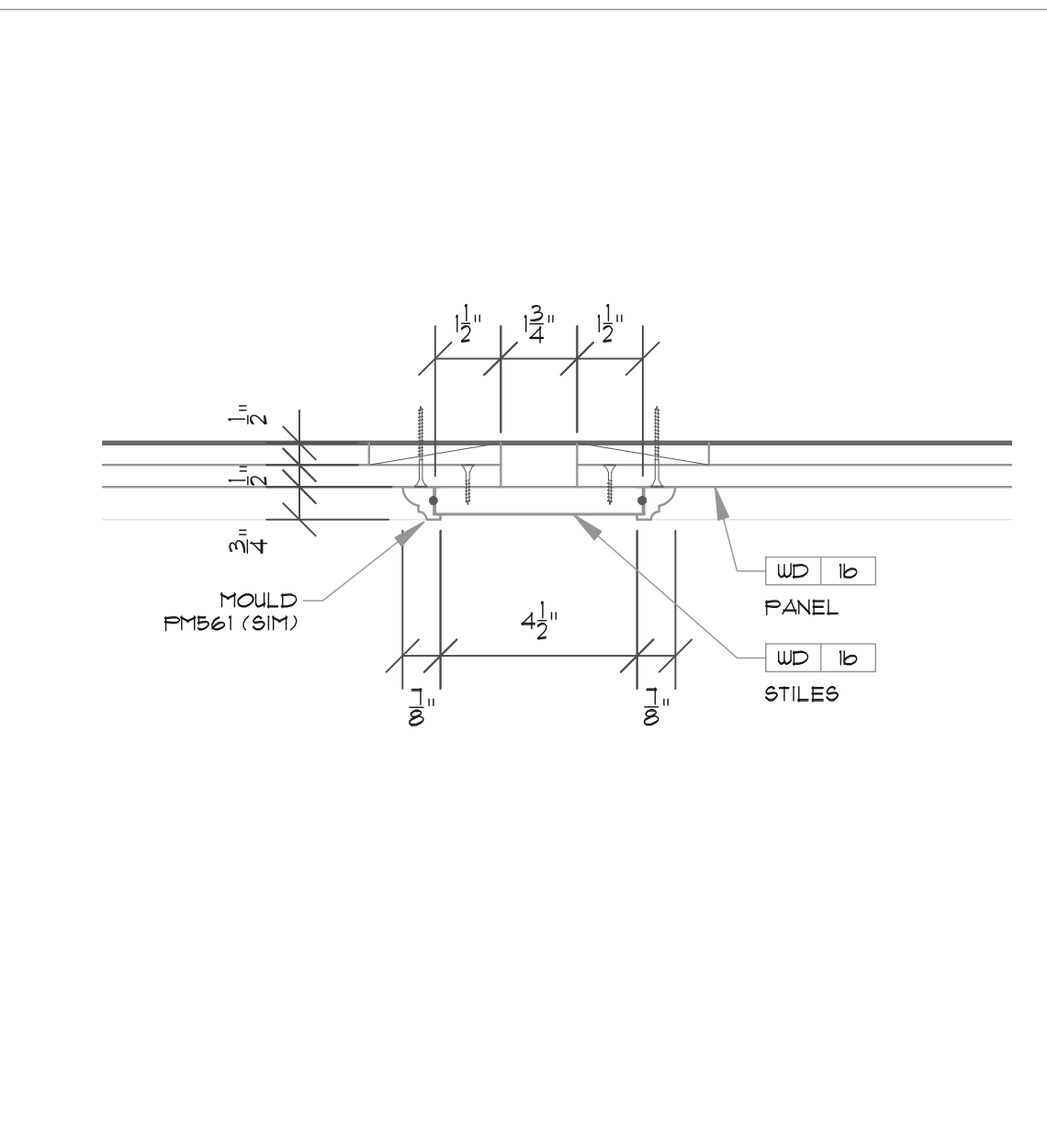
END SECTION SCALE: 3"=1' Ø2



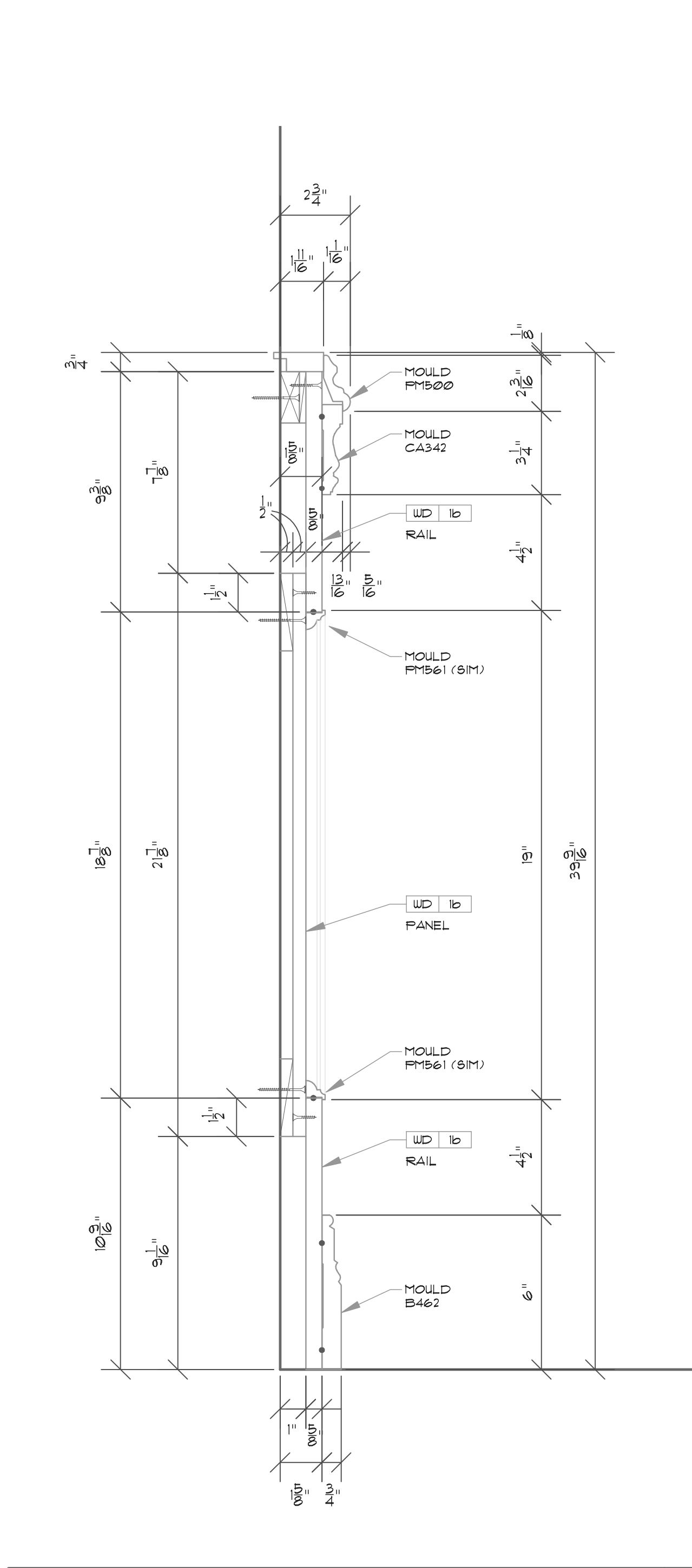
PLAN SECTION SCALE: 3"=1' Ø3



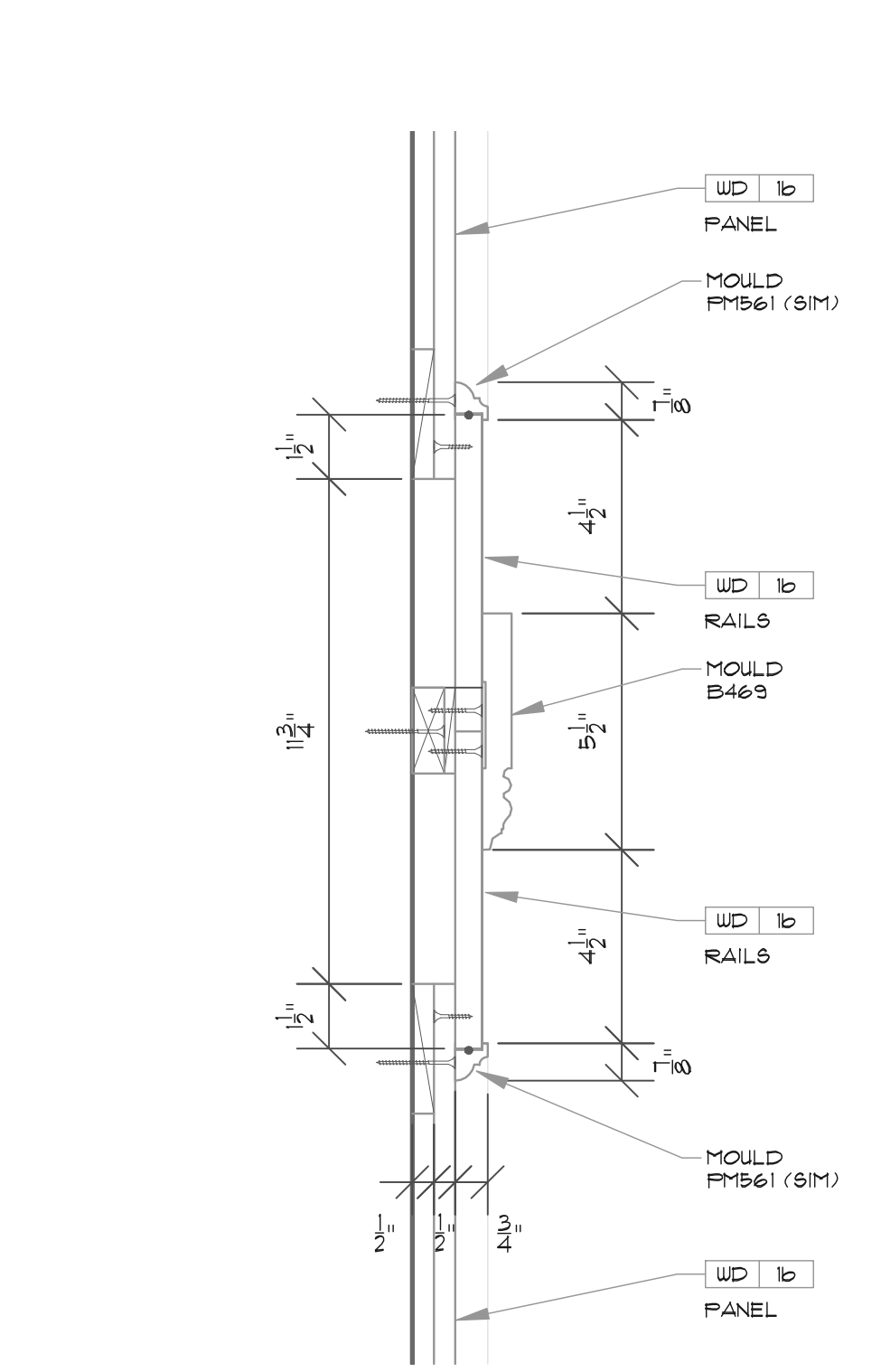
PLAN SECTION SCALE: 3"=1' Ø4



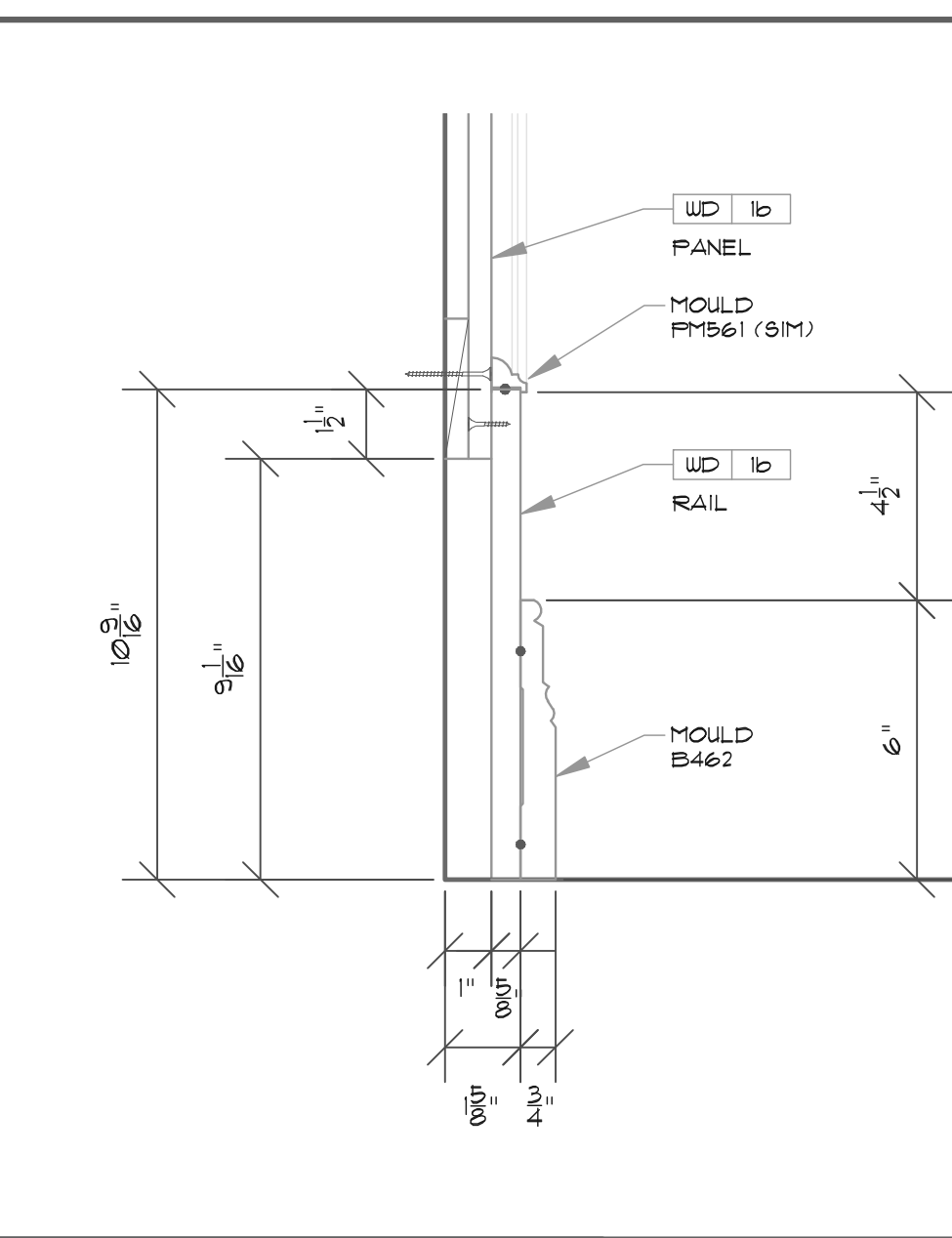
PLAN SECTION SCALE: 3"=1' Ø5



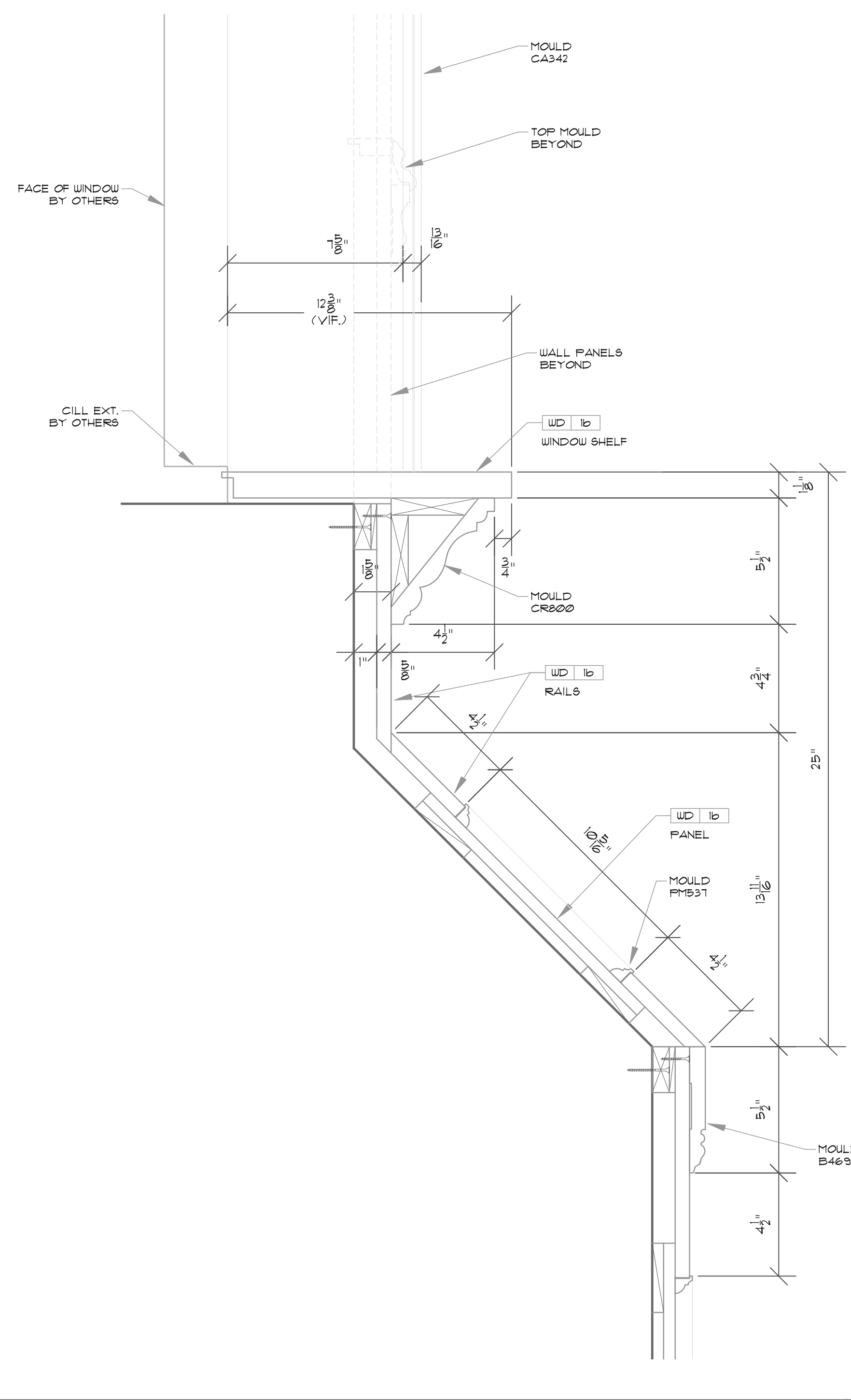
END SECTION SCALE: 3"=1' Ø6



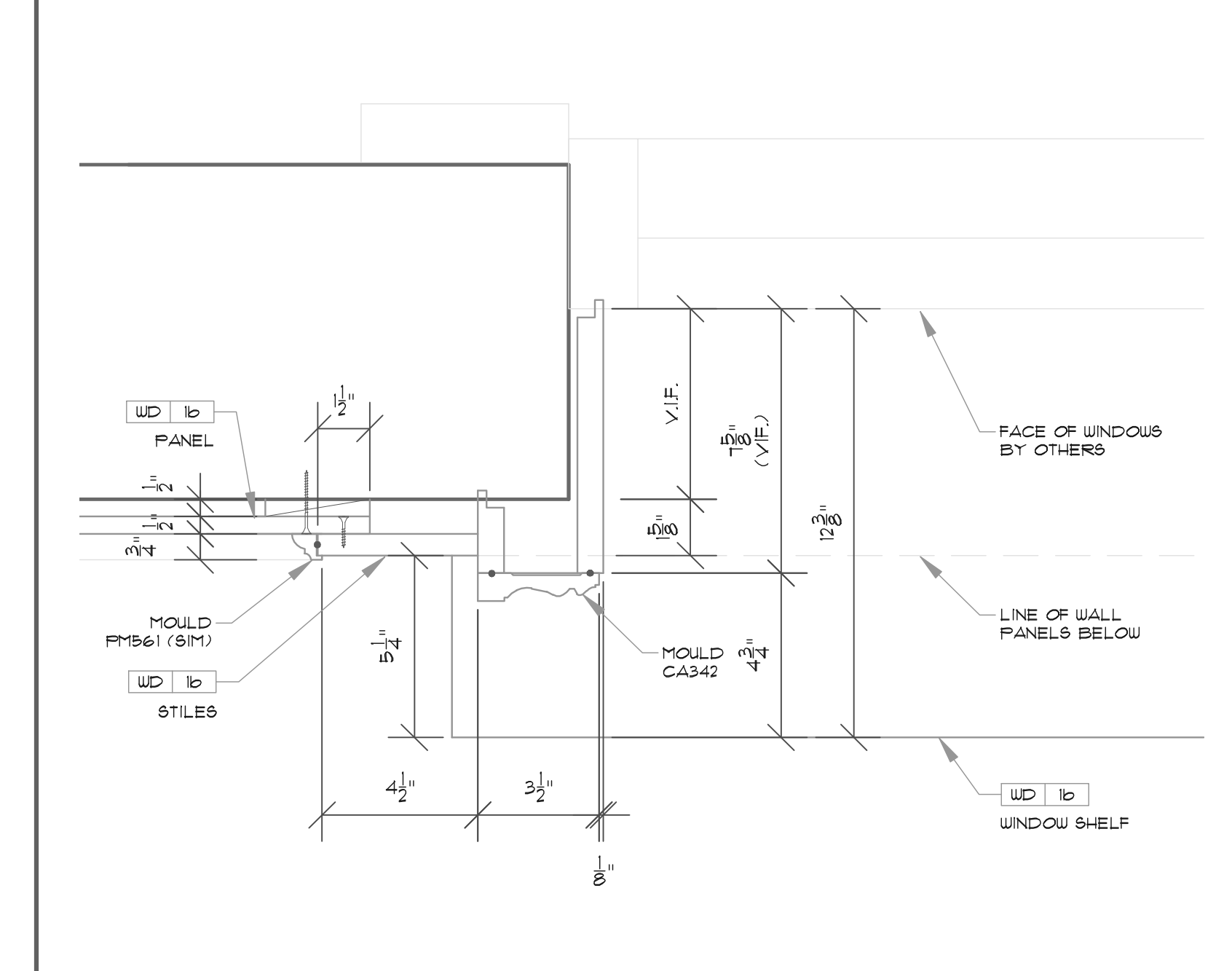
END SECTION SCALE: 3"=1' Ø7



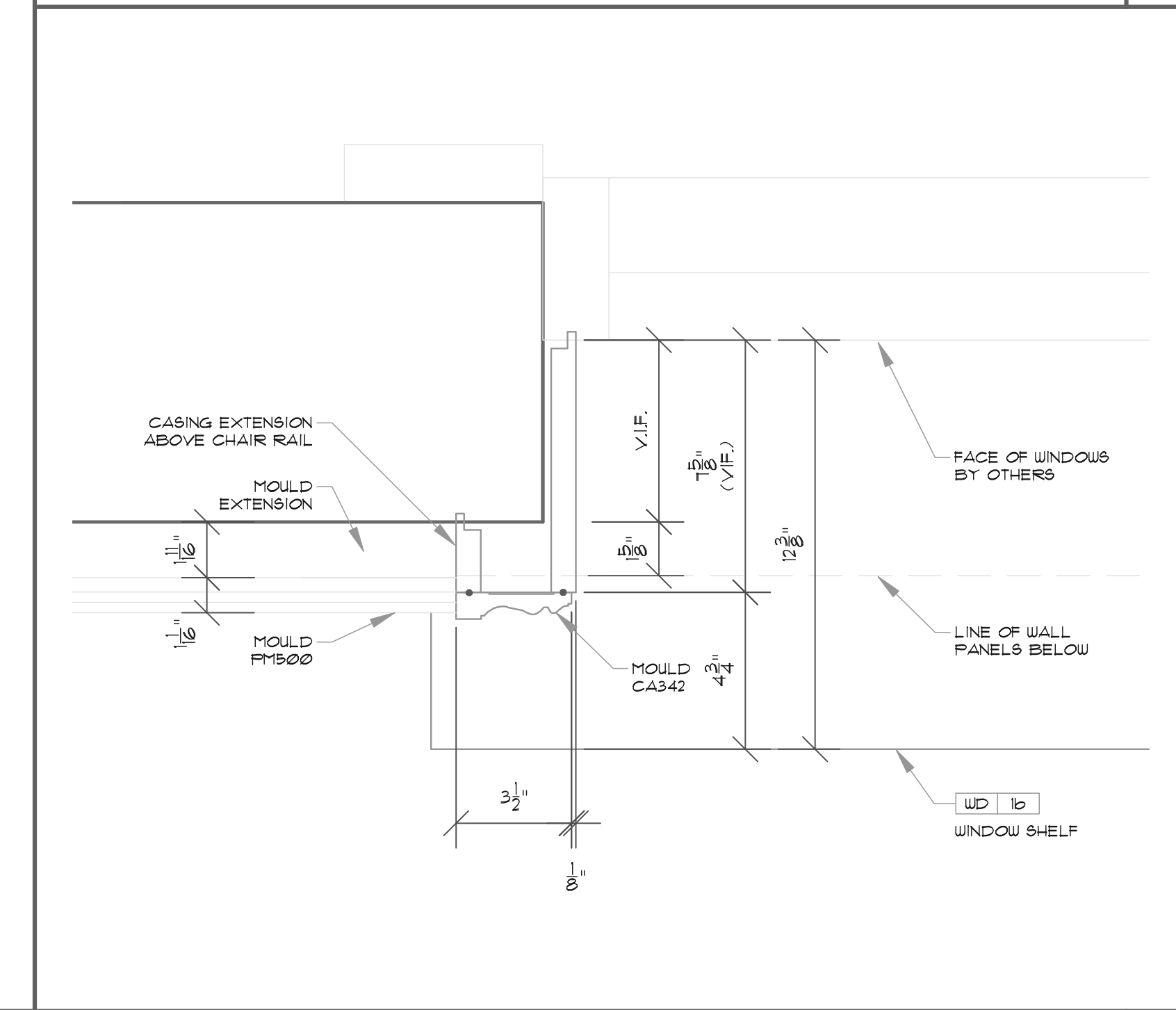
END SECTION SCALE: 3"=1' Ø8



END SECTION SCALE: 3"=1' Ø9



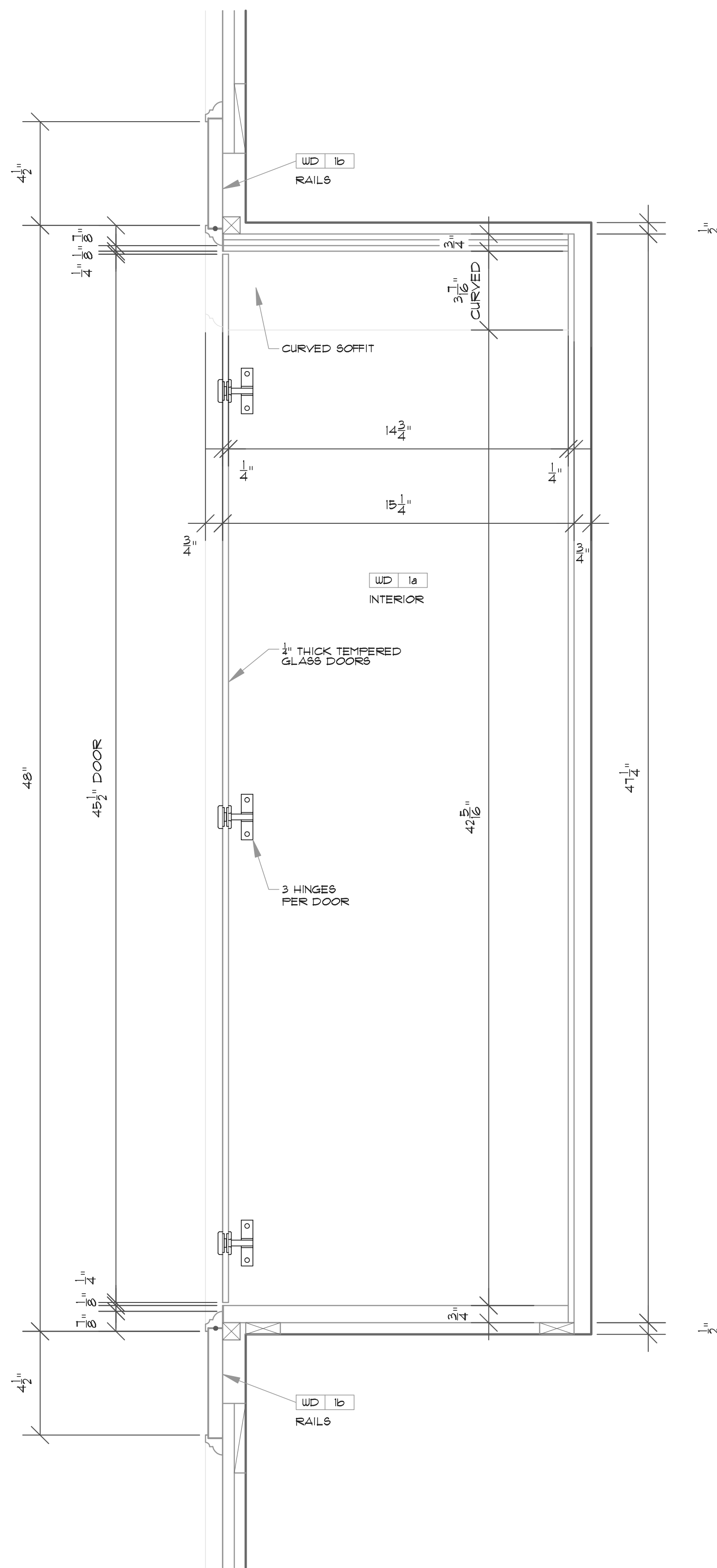
PLAN SECTION SCALE: 3"=1' Ø10



PLAN SECTION SCALE: 3"=1' Ø11 REF: 3/AB-Ø1

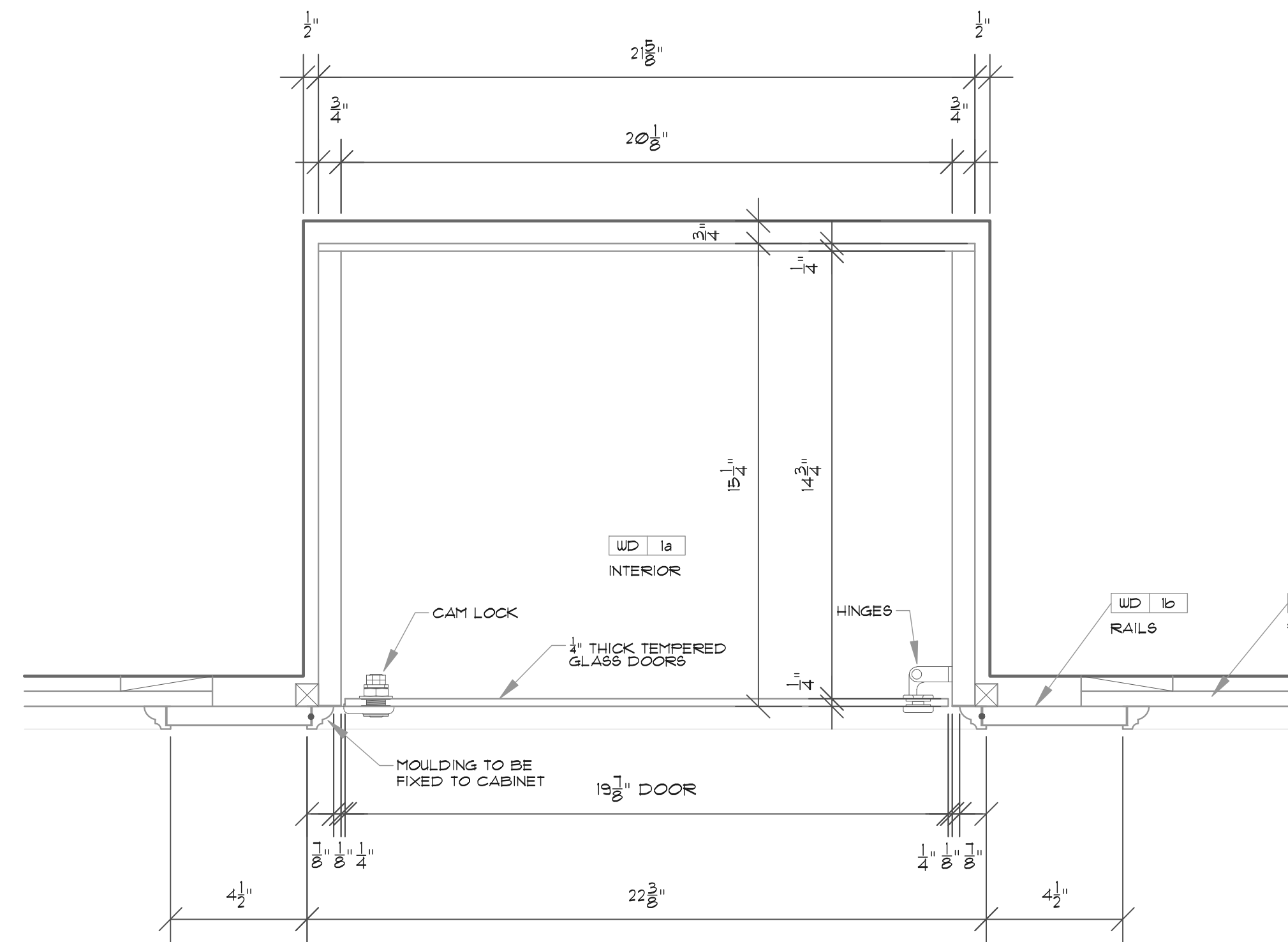
- WD-1a PLAIN SAUN CHERRY FINISH PER APPROVED SAMPLE
- WD-1b PLAIN SLICED CHERRY FINISH PER APPROVED SAMPLE
- WD-2a QUARTER SAUN CHERRY FINISH PER APPROVED SAMPLE
- WD-2b QUARTER SLICED CHERRY FINISH PER APPROVED SAMPLE

**RESOURCE: ENGINEERING, INC.** SAMPLE DRAWING



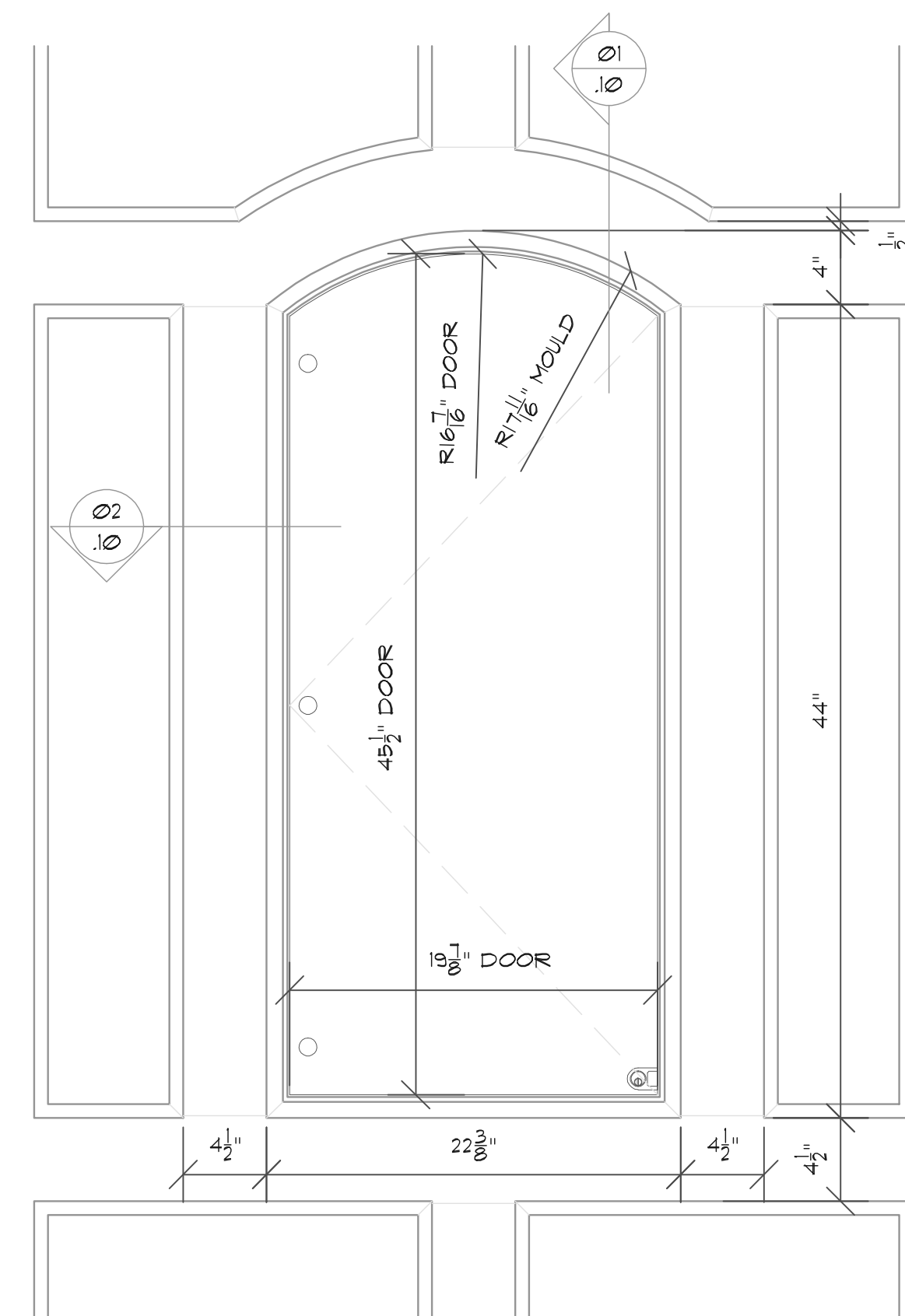
END SECTION @ DISPLAY CAB.

SCALE: 3"=1' 01



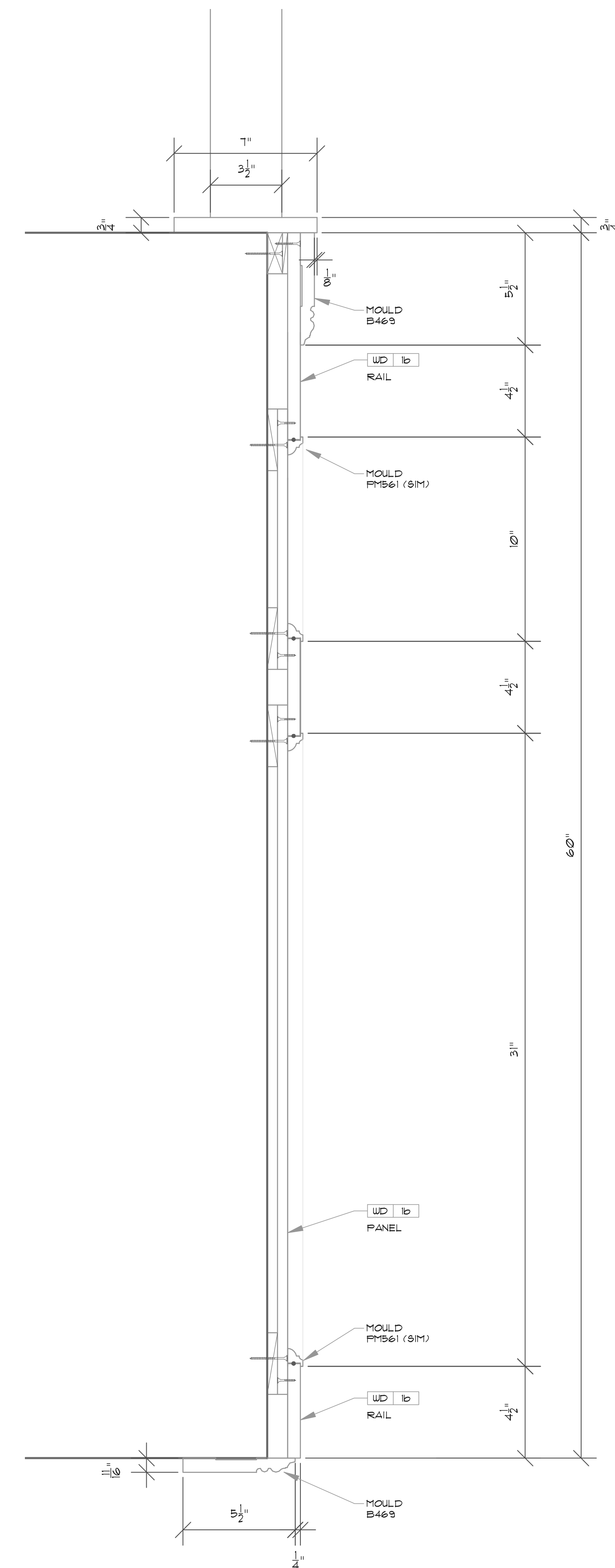
PLAN SECTION @ DISPLAY CAB.

SCALE: 3"=1' 02



ELEVATION @ DISPLAY CAB.

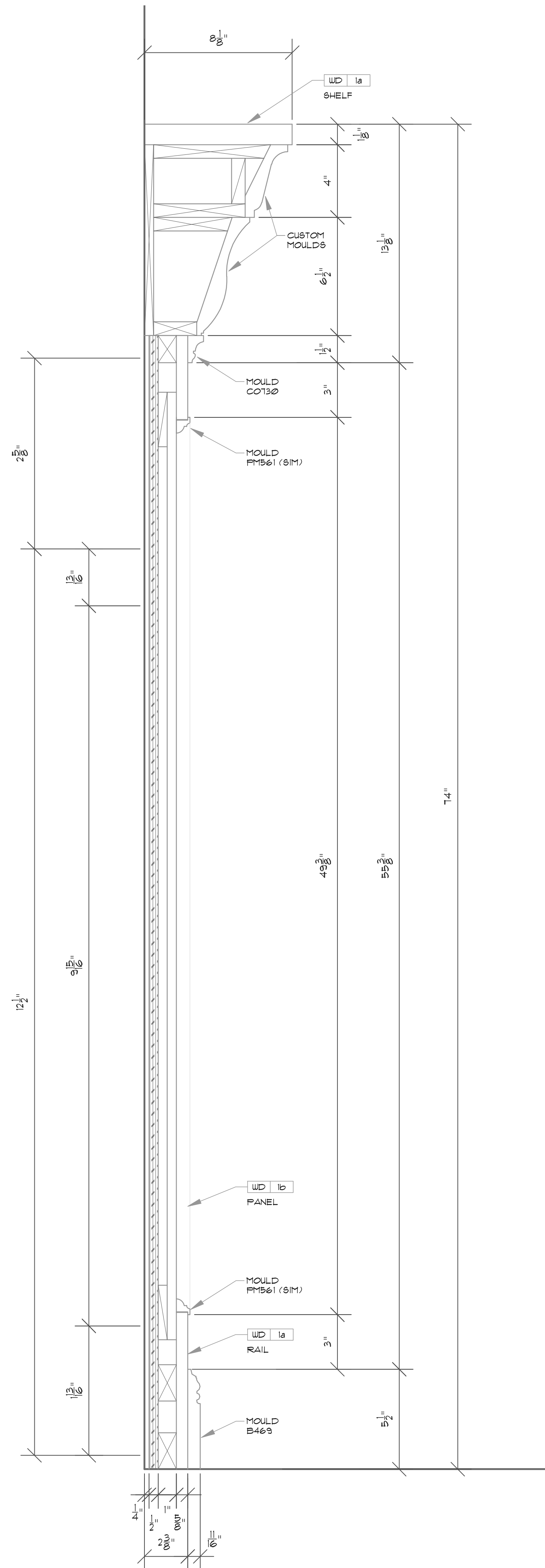
SCALE: 1-1/2"=1' 03



END SECTION @ BALCONY

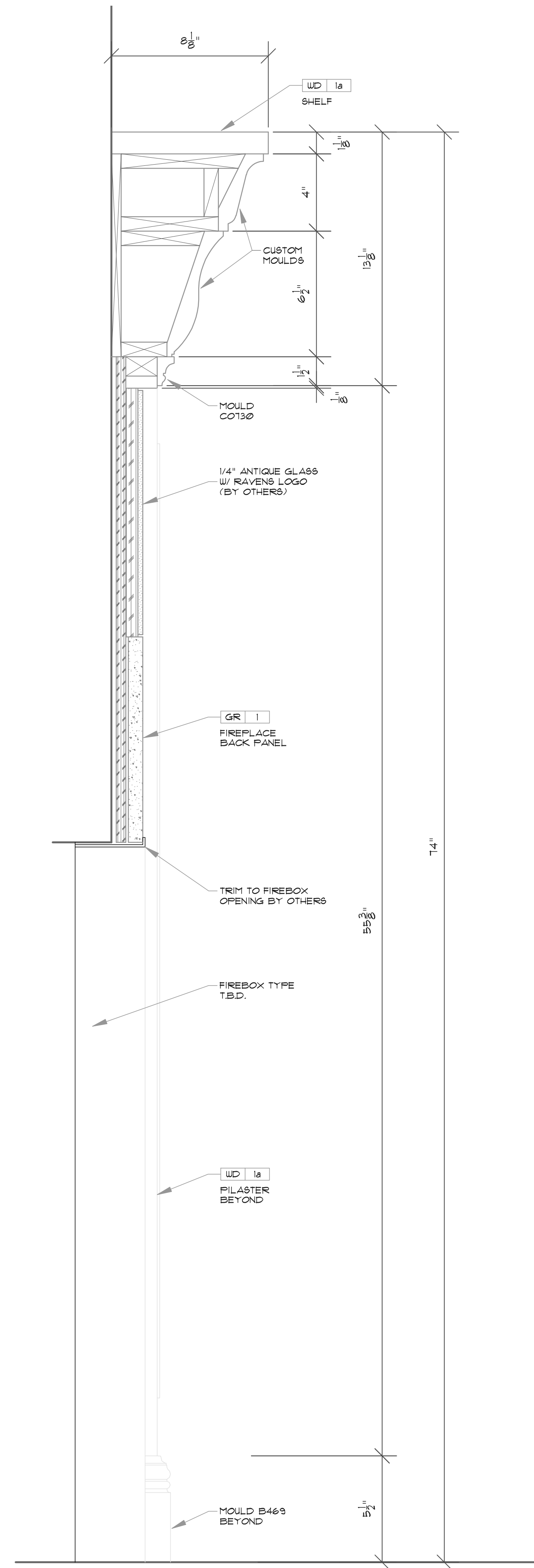
SCALE: 3"=1' 04

- WD-1a PLAIN SAUN CHERRY FINISH PER APPROVED SAMPLE
- WD-1b PLAIN SLICED CHERRY FINISH PER APPROVED SAMPLE
- WD-2a QUARTER SAUN CHERRY FINISH PER APPROVED SAMPLE
- WD-2b QUARTER SLICED CHERRY FINISH PER APPROVED SAMPLE



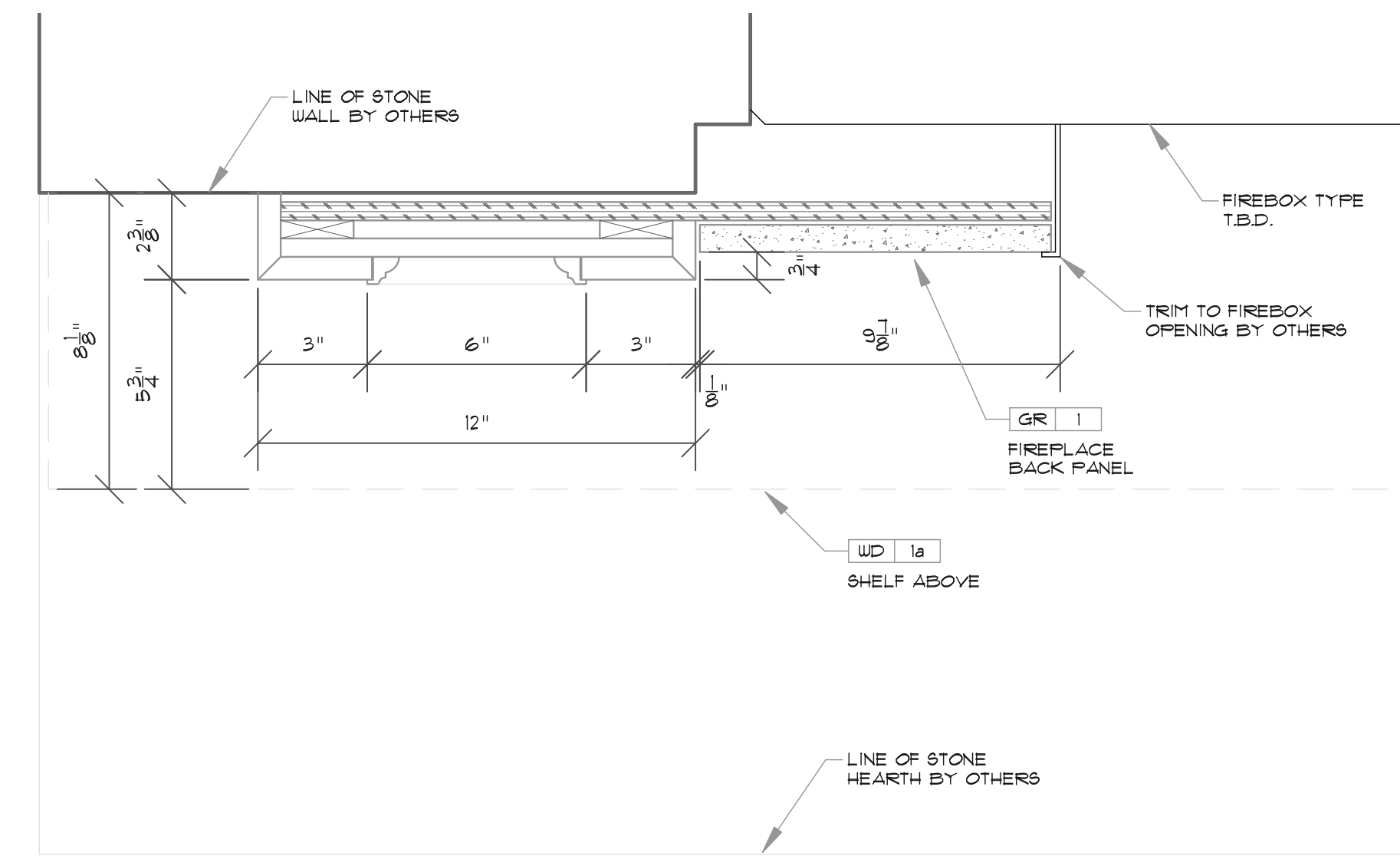
END SECTION @ FIREPLACE

SCALE: 3"=1' 01



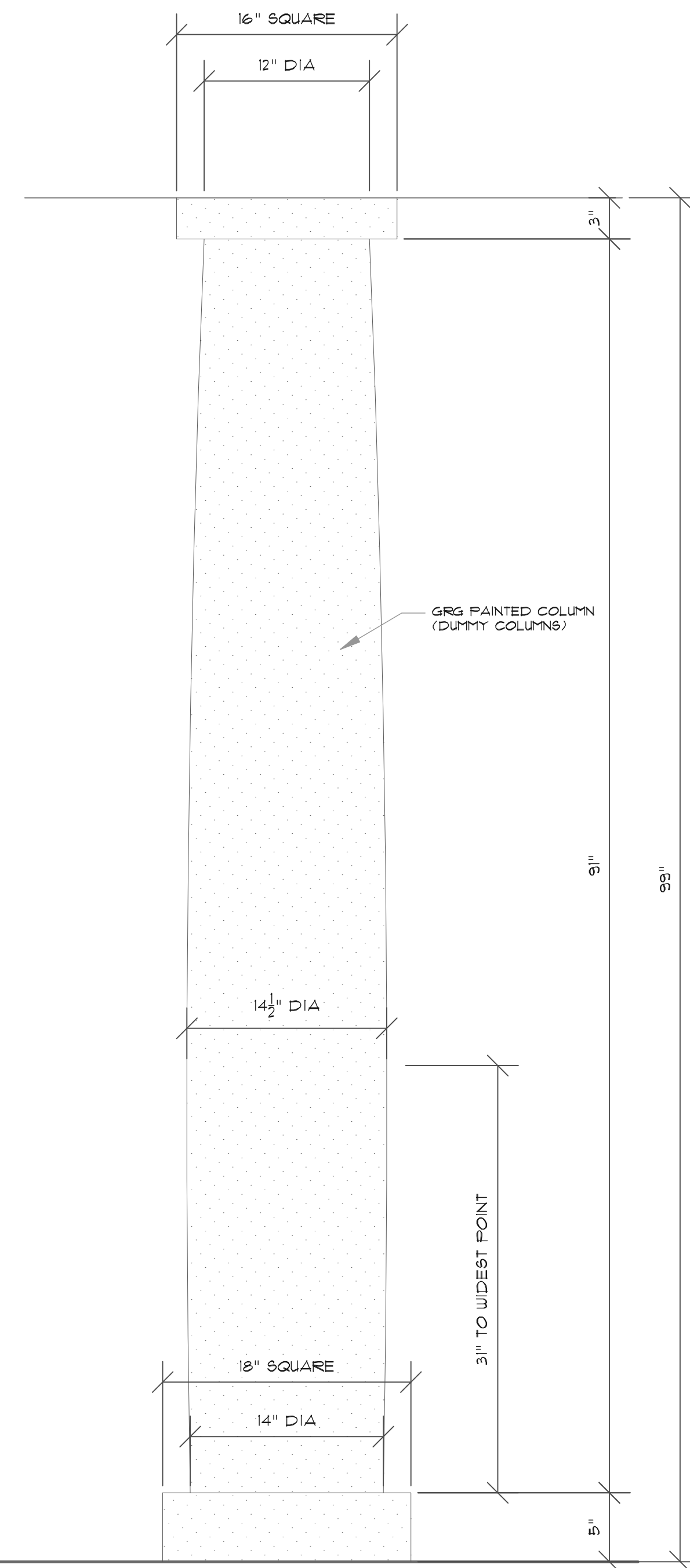
END SECTION @ FIREPLACE

SCALE: 3"=1' 02



PLAN SECTION @ FIREPLACE

SCALE: 3"=1' 03



COLUMN ELEVATION @ LOBBY A101 (4 REQUIRED)

SCALE: 1-1/2"=1' 04

- WD-1a PLAIN SAUN CHERRY FINISH PER APPROVED SAMPLE
- WD-1b PLAIN SLICED CHERRY FINISH PER APPROVED SAMPLE
- WD-2a QUARTER SAUN CHERRY FINISH PER APPROVED SAMPLE
- WD-2b QUARTER SLICED CHERRY FINISH PER APPROVED SAMPLE